



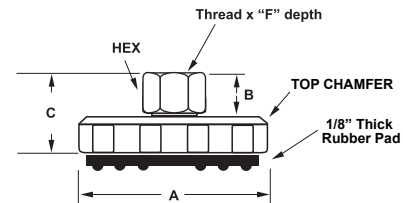
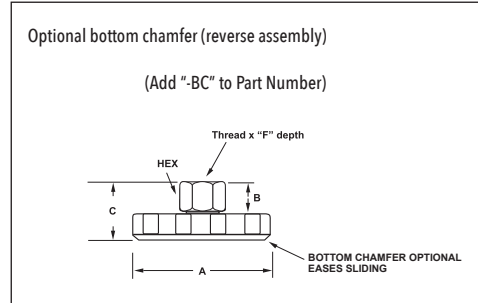
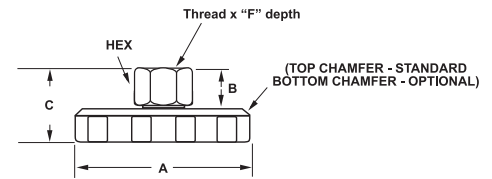
METRIC POLY BASE FIXED SOCKET LEVELING GLIDES

The IEC Metric Poly Base Steel and Stainless Steel Fixed Socket Glide is ideal for medium-duty load requirements. A cost-effective socket glide suitable for applications not requiring a swivel base. Features a black polypropylene base and large adjustment hex nut.

Also available with non-skid, non-marring rubber pad.



Rubber Pad Bottom View



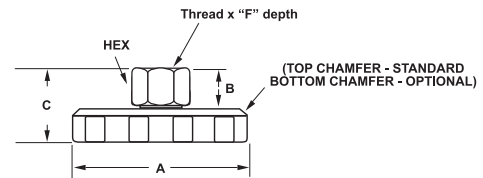
LOW PROFILE POLY FIXED — METRIC SOCKET LEVELERS

Steel	Steel w/Rubber Pad	Stainless	Stainless w/Rubber Pad	Load	Thread	Hex	A	B	C	F
IL7-M6B-T	IL7-M6B-T-P	IL7-M6BS-T	IL7-M6BS-T-P	100	M6x1	1/2	1	1/4	5/8	1/4
IL7-M8B-T	IL7-M8B-T-P	IL7-M8BS-T	IL7-M8BS-T-P	500	M8x1.25	1/2	1	3/8	3/4	1/4
IL7-M10B-T	IL7-M10B-T-P	IL7-M10BS-T	IL7-M10BS-T-P	1000	M10x1.50	1/2	1	1/2	7/8	3/8
IL7-M12B-T	IL7-M12B-T-P	IL7-M12BS-T	IL7-M12BS-T-P	2000	M12x1.75	5/8	1	1/2	7/8	3/8
IL7-M16B-T	IL7-M16B-T-P	IL7-M16BS-T	IL7-M16BS-T-P	3000	M16x2.00	3/4	1	5/8	1	1/2
IL7-M20B-T	IL7-M20B-T-P	IL7-M20BS-T	IL7-M20BS-T-P	3000	M20x3.00	1	1	3/4	1-1/8	5/8
IL8-M6B-T	IL8-M6B-T-P	IL8-M6BS-T	IL8-M6BS-T-P	100	M6x1	1/2	1-1/2	1/4	5/8	1/4
IL8-M8B-T	IL8-M8B-T-P	IL8-M8BS-T	IL8-M8BS-T-P	500	M8x1.25	1/2	1-1/2	3/8	3/4	1/4
IL8-M10B-T	IL8-M10B-T-P	IL8-M10BS-T	IL8-M10BS-T-P	1000	M10x1.50	1/2	1-1/2	1/2	7/8	3/8
IL8-M12B-T	IL8-M12B-T-P	IL8-M12BS-T	IL8-M12BS-T-P	2000	M12x1.75	5/8	1-1/2	1/2	7/8	3/8
IL8-M16B-T	IL8-M16B-T-P	IL8-M16BS-T	IL8-M16BS-T-P	3000	M16x2.00	3/4	1-1/2	5/8	1	1/2
IL8-M20B-T	IL8-M20B-T-P	IL8-M20BS-T	IL8-M20BS-T-P	3000	M20x3.00	1	1-1/2	3/4	1-1/8	5/8
IL7A-M6B-T	IL7A-M6B-T-P	IL7A-M6BS-T	IL7A-M6BS-T-P	100	M6x1	1/2	2	1/4	5/8	1/4
IL7A-M8B-T	IL7A-M8B-T-P	IL7A-M8BS-T	IL7A-M8BS-T-P	500	M8x1.25	1/2	2	3/8	3/4	1/4
IL7A-M10B-T	IL7A-M10B-T-P	IL7A-M10BS-T	IL7A-M10BS-T-P	1000	M10x1.50	1/2	2	1/2	7/8	3/8
IL7A-M12B-T	IL7A-M12B-T-P	IL7A-M12BS-T	IL7A-M12BS-T-P	2000	M12x1.75	5/8	2	1/2	7/8	3/8
IL7A-M16B-T	IL7A-M16B-T-P	IL7A-M16BS-T	IL7A-M16BS-T-P	3000	M16x2.00	3/4	2	5/8	1	1/2
IL7A-M20B-T	IL7A-M20B-T-P	IL7A-M20BS-T	IL7A-M20BS-T-P	3000	M20x3.00	1	2	3/4	1-1/8	5/8
IL7M-M6B-T		IL7M-M6BS-T		100	M6x1	1/2	2-1/2	1/4	5/8	1/4
IL7M-M8B-T		IL7M-M8BS-T		500	M8x1.25	1/2	2-1/2	3/8	3/4	1/4
IL7M-M10B-T		IL7M-M10BS-T		1000	M10x1.50	1/2	2-1/2	1/2	7/8	3/8
IL7M-M12B-T		IL7M-M12BS-T		2000	M12x1.75	5/8	2-1/2	1/2	7/8	3/8
IL7M-M16B-T		IL7M-M16BS-T		3000	M16x2.00	3/4	2-1/2	5/8	1	1/2
IL7M-M20B-T		IL7M-M20BS-T		3000	M20x3.00	1	2-1/2	3/4	1-1/8	5/8
IL8A-M6B-T	IL8A-M6B-T-P	IL8A-M6BS-T	IL8A-M6BS-T-P	100	M6x1	1/2	3	1/4	5/8	1/4
IL8A-M8B-T	IL8A-M8B-T-P	IL8A-M8BS-T	IL8A-M8BS-T-P	500	M8x1.25	1/2	3	3/8	3/4	1/4
IL8A-M10B-T	IL8A-M10B-T-P	IL8A-M10BS-T	IL8A-M10BS-T-P	1000	M10x1.50	1/2	3	1/2	7/8	3/8
IL8A-M12B-T	IL8A-M12B-T-P	IL8A-M12BS-T	IL8A-M12BS-T-P	2000	M12x1.75	5/8	3	1/2	7/8	3/8
IL8A-M16B-T	IL8A-M16B-T-P	IL8A-M16BS-T	IL8A-M16BS-T-P	3000	M16x2.00	3/4	3	5/8	1	1/2
IL8A-M20B-T	IL8A-M20B-T-P	IL8A-M20BS-T	IL8A-M20BS-T-P	3000	M20x3.00	1	3	3/4	1-1/8	5/8



METRIC POLY BASE FIXED SOCKET LEVELING GLIDES

The IEC *Metric Poly Base Steel and Stainless Steel Fixed Socket Glide* is ideal for medium-duty load requirements. A cost-effective socket glide suitable for applications not requiring a swivel base. Features a black polypropylene base and large adjustment hex nut.



METRIC POLY FIXED SOCKET LEVELERS

Steel	Stainless	Load	Thread	Hex	A	B	C	F
IL7-M6B-T	IL7-M6BS-T	100	M6x1	1/2	1	3/16	5/8	1/4
IL7-M8B-T	IL7-M8BS-T	500	M8x1.25	1/2	1	3/8	3/4	1/4
IL7-M10B-T	IL7-M10BS-T	1000	M10x1.50	1/2	1	1/2	7/8	3/8
IL7-M12B-T	IL7-M12BS-T	2000	M12x1.75	5/8	1	1/2	7/8	3/8
IL7-M16B-T	IL7-M16BS-T	3000	M16x2.00	3/4	1	5/8	1	1/2
IL7-M20B-T	IL7-M20BS-T	3000	M20x3.00	1	1	3/4	1-1/8	5/8
IL8-M6B-T	IL8-M6BS-T	100	M6x1	1/2	1-1/2	3/16	5/8	1/4
IL8-M8B-T	IL8-M8BS-T	500	M8x1.25	1/2	1-1/2	3/8	3/4	1/4
IL8-M10B-T	IL8-M10BS-T	1000	M10x1.50	1/2	1-1/2	1/2	7/8	3/8
IL8-M12B-T	IL8-M12BS-T	2000	M12x1.75	5/8	1-1/2	1/2	7/8	3/8
IL8-M16B-T	IL8-M16BS-T	3000	M16x2.00	3/4	1-1/2	5/8	1	1/2
IL8-M20B-T	IL8-M20BS-T	3000	M20x3.00	1	1-1/2	3/4	1-1/8	5/8
IL7A-M6B-T	IL7A-M6BS-T	100	M6x1	1/2	2	3/16	5/8	1/4
IL7A-M8B-T	IL7A-M8BS-T	500	M8x1.25	1/2	2	3/8	3/4	1/4
IL7A-M10B-T	IL7A-M10BS-T	1000	M10x1.50	1/2	2	1/2	7/8	3/8
IL7A-M12B-T	IL7A-M12BS-T	2000	M12x1.75	5/8	2	1/2	7/8	3/8
IL7A-M16B-T	IL7A-M16BS-T	3000	M16x2.00	3/4	2	5/8	1	1/2
IL7A-M20B-T	IL7A-M20BS-T	3000	M20x3.00	1	2	3/4	1-1/8	5/8
IL7M-M6B-T	IL7M-M6BS-T	100	M6x1	1/2	2-1/2	3/16	5/8	1/4
IL7M-M8B-T	IL7M-M8BS-T	500	M8x1.25	1/2	2-1/2	3/8	3/4	1/4
IL7M-M10B-T	IL7M-M10BS-T	1000	M10x1.50	1/2	2-1/2	1/2	7/8	3/8
IL7M-M12B-T	IL7M-M12BS-T	2000	M12x1.75	5/8	2-1/2	1/2	7/8	3/8
IL7M-M16B-T	IL7M-M16BS-T	3000	M16x2.00	3/4	2-1/2	5/8	1	1/2
IL7M-M20B-T	IL7M-M20BS-T	3000	M20x3.00	1	2-1/2	3/4	1-1/8	5/8
IL8A-M6B-T	IL8A-M6BS-T	100	M6x1.0	1/2	3	3/16	5/8	1/4
IL8A-M8B-T	IL8A-M8BS-T	500	M8x1.25	1/2	3	3/8	3/4	1/4
IL8A-M10B-T	IL8A-M10BS-T	1000	M10x1.50	1/2	3	1/2	7/8	3/8
IL8A-M12B-T	IL8A-M12BS-T	2000	M12x1.75	5/8	3	1/2	7/8	3/8
IL8A-M16B-T	IL8A-M16BS-T	3000	M16x2.00	3/4	3	5/8	1	1/2
IL8A-M20B-T	IL8A-M20BS-T	3000	M20x3.00	1	3	3/4	1-1/8	5/8