



**INTERNATIONAL EQUIPMENT COMPONENTS, INC.**  
[www.levelingmounts.com](http://www.levelingmounts.com) & [www.iec-corp.com](http://www.iec-corp.com)

# KNOB & HANDLE



**CLAMP  
ADJUST  
STABILIZE  
FASTEN**

**Ph. 562.597.4533**

## **Welcome ...**

We're pleased to introduce our new line of *Adjustable Handles and Knobs*. This catalog includes hundreds of mechanical control components used on machinery, equipment and displays. This catalog an overview page of the complete line of adjustable handles and knobs, a selection guide and product tables with complete specifications for easily selecting an off-the-shelf component for your application. We've also added a standard quote request form for requesting OEM pricing on larger quantities.

IEC's mission since 1992 has been to lead the equipment component industry in meeting the needs of OEM equipment, machinery and display builders with a broad range of products that match the high standards and cost requirements of our customers. We have specialized in providing equipment component solutions by offering products in a wide range of designs, materials and features most commonly requested by design engineers and manufacturers. We have an engineering department available ready to assist you with selecting from thousands of standard off-the-shelf products—the best component for your specific application.

We recognize the needs in OEM manufacturing for high performance products, attractive designs and pricing to make your product more competitive. We've made every effort possible to address these needs in this catalog. We now offer the industry's widest range of products for mechanical control, surface protection, leveling, gliding, sliding and vibration control.

Paying attention to our customers and their needs for over 20 years that has enabled IEC to become the leader in equipment component solutions. This dedicated effort has resulted in the development of thousands of new products, stronger customer service and the assurance that the products you specify today will continue to be available for the full duration of your product life-cycle.

Sincerely,

A handwritten signature in cursive script that reads "Ron Lassy".

Marketing Manager



**CONTENTS**

INTRODUCTION  
 CONTENTS.....3  
 OVERVIEW.....4-5

**KNOBS & ADJUSTABLE LEVERS**

6 Prong Pollypropylene knobs.....6  
 4 Prong Pollypropylene knobs.....6  
 3 Prong Pollypropylene knobs.....6  
 Circular Phenolic Knobs .....6  
 Adjustable Ratchet Handles .....7  
 Round Phenolic Ball Knobs.....7  
 Oval Ball Knob with Brass Threaded Insert.....8  
 Flat Top Ball Knob with Plastic Molded Threads.....9  
 Phenolic Knurled Knob with Brass Threaded Insert .....10  
 Phenolic Knurled Knob with Zinc Plated Steel Stud.....10  
 Phenolic Knurled Knob with 303 Stainless Steel Stud .....10  
 Phenolic T-Knob with Brass Threaded Insert .....11  
 Phenolic T-Knob with Zinc Plated Steel Stud .....11  
 Phenolic T-Knob with 303 Stainless Steel Stud.....12  
 Nylon T-Knob Thru Hole with Brass Threaded Insert.....12  
 Phenolic 3 Lobe Knob with Brass Threaded Insert.....12  
 Phenolic 3-Lobe with Zinc Plated Steel Stud .....13  
 Phenolic 3-Lobe Thru Hole with Brass Threaded Insert.....13  
 Phenolic 3-Lobe Knob with 303 Stainless Steel Stud.....13  
 Phenolic 3-Lobe Knob Thru Hole with Brass Threaded Insert.....13  
 Phenolic 4-Lobe Knob with Brass Threaded Insert.....14  
 Phenolic 4-Lobe Knob with Zinc Plated Steel Stud.....15  
 Phenolic 4-Lobe Knob with 303 Stainless Steel Stud.....16  
 Phenolic 4-Lobe Thru Hole Knob with Brass Threaded Insert.....16  
 Phenolic 5 Lobe Knob with Stainless Steel Stud .....17  
 Phenolic 5 Lobe Knob with Zinc Plated Steel Threaded Insert.....17  
 Phenolic 5 Lobe Knob with Brass Threaded Insert.....17  
 Phenolic 5 Lobe Knob with Zinc Plated Steel Stud.....18  
 Phenolic 5-Lobe Knob Thru Hole with Steel Threaded Insert.....18  
 Phenolic 6 Lobe Knob with Brass Threaded Insert.....18  
 Phenolic 6 Lobe Knob with Zinc Plated Steel Stud.....18  
 Phenolic 7 Lobe Knob with Steel Threaded Stud .....18  
 Thermoplastic 7 Lobe Knob with Steel Threaded Insert.....18  
 Phenolic 7 Lobe Knob with Zinc Plated Steel Stud.....20  
 Phenolic 8 Lobe Knob with Brass Threaded Insert.....20  
 Tapered Handles .....21  
 Low Profile Shoulderless Knobs .....22-25

**RFQ FAX-BACK FORM**

Request A Quote Form.....26  
 Warranty and Disclaimer.....27



INTERNATIONAL EQUIPMENT COMPONENTS, INC.

Phone: 562.597.4533 eMail: sales@iec-corp.com

Web: www.levelingmounts.com & www.iec-corp.com

**KNOBS & HANDLES**

**OVERVIEW**

## KNOBS & HANDLES

### **MULTI-PRONG POLYPROPYLENE KNOBS**

IEC offers 3, 4 and 6 prong polypropylene knobs in both male and female thread types. Zinc plated steel stud or insert.



### **CIRCULAR PHENOLIC KNOBS**

Circular phenolic knobs are available in both male and female thread types. Zinc plated steel stud and brass insert.



### **ADJUSTABLE RATCHET HANDLES**

IEC's adjustable ratchet handles are offered in both male and female thread types. The handle is made of glass reinforced nylon. Zinc plated steel stud or brass insert.



### **ROUND & OVAL PHENOLIC BALL KNOBS**

IEC's round and oval phenolic ball knobs are offered in female thread with zinc plated steel insert, brass or plastic molded threads; press-fit hole types.



### **KNURLED KNOBS**

Phenolic Knurled Knobs are offered with a brass threaded insert, a zinc-plated steel stud or a stainless steel stud.



### **T KNOBS WITH STUD & BRASS INSERT**

Phenolic T-knobs are offered with a brass threaded insert, a zinc-plated steel stud or a stainless steel stud.





INTERNATIONAL EQUIPMENT COMPONENTS, INC.

Phone: 562.597.4533 eMail: sales@iec-corp.com

Web: www.levelingmounts.com & www.iec-corp.com

**KNOBS & HANDLES**

**OVERVIEW**

## KNOBS & HANDLES

### PHENOLIC 3 & 4 LOBE KNOBS

Phenolic 3 Lobe Knobs are offered with a brass threaded insert, a zinc-plated steel stud or a stainless steel stud.



### PHENOLIC 5 & 6 LOBE KNOBS WITH INSERTS

These phenolic 5 and 6 Lobe Knobs are offered with a steel or brass threaded insert and thru-hole design on the 6 Lobe style.



### PHENOLIC 7 LOBE KNOBS

These phenolic 7 Lobe Knobs are offered with a brass threaded insert, a zinc-plated steel stud or a stainless steel stud.



### PHENOLIC 8 LOBE KNOBS

Phenolic 8 Lobe Knobs are offered with a brass threaded insert, a zinc-plated steel stud or a stainless steel stud.



### PHENOLIC TAPERED HANDLES

IEC offers a variety of black phenolic tapered handles including round top with ribs as shown to right, and also flat top with ribs, flat top smooth handle and flat top, short handle styles.



### LOW PROFILE SHOULDERLESS KNOBS

These *Low Profile Shoulderless Knobs* have a black polypropylene base and grip ridges on the outside diameter. The threaded studs are available in zinc-plated steel or stainless steel.



### THREADED NYLON KNOB HUBS / SLEEVES

These *glass-filled black nylon threaded knob hubs* can be used for many applications; as an adjustable height shoulder on a knob or leveler or stacked to create a sleeve to hide the threads of a leveler or knob.





**Prong & Circular Knobs**

These 6 prong polypropylene knobs are offered in both male and female thread types. Zinc plated steel stud or insert.



These 4 prong polypropylene knobs are offered in both male and female thread types. Zinc plated steel stud or insert.



These 3 prong polypropylene knobs are offered in both male and female thread types. Zinc plated steel stud or insert.



These circular phenolic knobs are offered in both male and female thread types. Zinc plated steel stud and brass insert. Height (H) of the 9/16 dia. knob is 5/8, (H) for 13/16 dia. is 7/8 tall.



**6 PRONG POLYPROPYLENE KNOBS**

P/N (female)	P/N (male)	Knob Dia.	Thread	Stud Length (male)
	IL200M-4X75	1-9/16	1/4-20	3/4
	IL200M-4X138	1-9/16	1/4-20	1-3/8
IL200F-5	IL200M-5X50	1-9/16	5/16-18	1/2
	IL200M-5X75	1-9/16	5/16-18	3/4
	IL200M-5X1	1-9/16	5/16-18	1
	IL200M-5X150	1-9/16	5/16-18	1-1/2
IL201F-5	IL201M-5X75	2-3/8	5/16-18	3/4
	IL201M-5X150	2-3/8	5/16-18	1-1/2

**4 PRONG POLYPROPYLENE KNOBS**

P/N (female)	P/N (male)	Knob Dia.	Thread	Stud Length (male)
IL204F-4	IL204M-4X75	1-9/16	1/4-20	3/4
	IL204M-4X138	1-9/16	1/4-20	1-3/8
	IL204M-5X50	1-9/16	5/16-18	1/2
	IL204M-5X75	1-9/16	5/16-18	3/4
	IL204M-5X1	1-9/16	5/16-18	1
	IL204M-5X138	1-9/16	5/16-18	1-3/8
IL205F-5	IL205M-5X75	2-3/8	5/16-18	3/4
	IL205M-5X150	2-3/8	5/16-18	1-1/2

**3 PRONG POLYPROPYLENE KNOBS**

P/N (female)	P/N (male)	Knob Dia.	Thread	Stud Length (male)
	IL206M-4X75	1-9/16	1/4-20	1-3/8
IL206F-5	IL206M-5X50	1-9/16	5/16-18	1/2
	IL206M-5X75	1-9/16	5/16-18	3/4
	IL206M-5X128	1-9/16	5/16-18	1-3/8
IL207F-5	IL207M-5X50	2-3/8	5/16-18	1/2
	IL207M-5X75	2-3/8	5/16-18	3/4

**CIRCULAR PHENOLIC KNOBS**

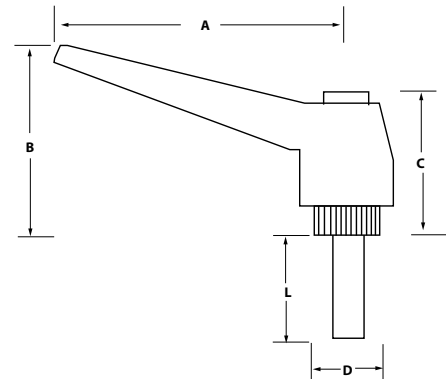
P/N (female)	P/N (male)	Knob Dia.	Thread	Stud Length (male)
IL210F-3F	IL210M-3FX38	9/16	10-32	3/8
IL210F-3	IL210M-3X38	9/16	10-24	3/8
IL211F-3	IL211M-3X38	13/16	10-24	9/16
IL211F-4	IL211M-4X38	13/16	1/4-20	9/16



**KNOBS  
& ADJUSTABLE HANDLES**

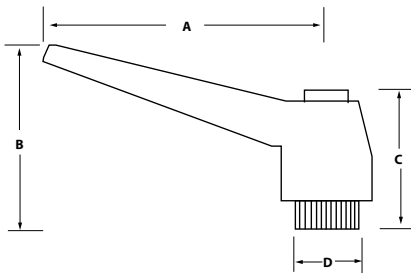
**Adjustable Ratchet Handles**

These adjustable ratchet levers are offered in both male and female thread types. The handle is made of glass reinforced nylon. Zinc plated steel stud or brass insert. Just push the red button to lift and rotate the ratchet handle. Especially useful for confined space locations or when extra clamping force is required.

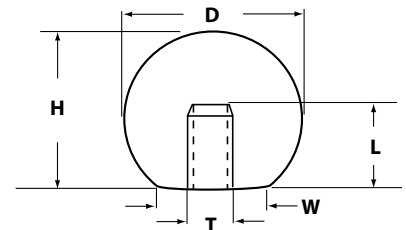


**ADJUSTABLE RATCHET HANDLES**

P/N (female)	P/N (male)	Thread	A	B	C	D	L
IL220F-3	IL220M-3X75	10-24	1-3/4	1-1/4	1	1/2	3/4
IL221F-4	IL221M-4X75	1/4-20	1-3/4	1-1/4	1	1/2	3/4
IL221F-4		1/4-20	2-1/2	1-3/4	1-1/2	5/8	
IL222F-5	IL222M-5X118	5/16-18	2-1/2	1-3/4	1-1/2	5/8	1-3/16
	IL223M-5X156	5/16-18	2-1/2	1-3/4	1-1/2	5/8	1-9/16
IL224F-5	IL224M-6X118	3/8-16	3-1/4	2-1/4	1-3/4	3/4	1-3/16
	IL225M-6X156	3/8-16	3-1/4	2-1/4	1-3/4	3/4	1-9/16
IL226F-5	IL226M-6X118	1/2-13	4	2-5/8	2	1	1-3/8



These round phenolic ball knobs are offered in female thread with zinc plated steel insert and press-fit hole types.



**ROUND PHENOLIC PHENOLIC BALL KNOBS**

P/N (female)	P/N (hole type)	Thread	D	H	Hole Depth	Press-Fit Stud
IL230F-3F		10-32	5/8	9/16		
IL231F-3	IL231H	10-24	3/4	11/16	1/2	13/16
IL232F-4		1/4-20	3/4	11/16		
IL233F-4	IL233H	1/4-20	1	7/8	5/8	1/4
IL234F-5		5/16-18	1	7/8		
IL235F-5	IL235H	5/16-18	1-1/4	1-3/16	9/16	5/16
IL236F-6	IL236H	3/8-16	1-1/2	1-7/16	3/4	3/8
IL237F-7	IL237H	1/2-13	1-3/4	1-11/16	13/16	1/2



**INTERNATIONAL EQUIPMENT COMPONENTS, INC.**

Phone: **562.597.4533** eMail: **sales@iec-corp.com**

Web: **www.levelingmounts.com & www.iec-corp.com**

**KNOBS**  
**OVAL BALL KNOBS**

**Oval Ball Knobs**

These phenolic oval ball knobs are offered with a brass threaded insert.



**PHENOLIC BALL KNOB WITH BRASS THREADED INSERT**

<b>P/N</b>	<b>DIA.</b>	<b>Height</b>	<b>Width</b>	<b>Thread</b>	<b>Depth</b>
IL400-3FX38	3/4	23/32	15/32	10-32	3/8
IL400-3X38	3/4	23/32	15/32	10-24	3/8
IL400-4X38	3/4	23/32	15/32	1/4-20	3/8
IL401-3FX38	1	29/32	9/16	10-32	3/8
IL401-3X38	1	29/32	9/16	10-24	3/8
IL401-4FX38	1	29/32	9/16	1/4-28	3/8
IL401-4X38	1	29/32	9/16	1/4-20	3/8
IL401-5FX50	1	29/32	9/16	5/16-24	1/2
IL401-5X50	1	29/32	9/16	5/16-18	1/2
IL401-6FX50	1	29/32	9/16	3/8-24	1/2
IL401-6X50	1	29/32	9/16	3/8-16	1/2
IL402-4X38	1-1/4	1-3/16	5/8	1/4-20	3/8
IL402-5X50	1-1/4	1-3/16	5/8	5/16-18	1/2
IL403-4X38	1-3/8	1-11/32	5/8	1/4-20	3/8
IL403-5FX50	1-3/8	1-11/32	5/8	5/16-24	1/2
IL403-5X50	1-3/8	1-11/32	5/8	5/16-18	1/2
IL403-6FX50	1-3/8	1-11/32	5/8	3/8-24	1/2
IL403-6X50	1-3/8	1-11/32	5/8	3/8-16	1/2
IL403-7FX75	1-3/8	1-11/32	5/8	1/2-20	3/4
IL404-6X50	1-3/4	1-11/16	21/32	3/8-16	1/2
IL405-6X75	2	1-13/16	1	3/8-16	3/4



**INTERNATIONAL EQUIPMENT COMPONENTS, INC.**

Phone: **562.597.4533** eMail: **sales@iec-corp.com**

Web: **www.levelingmounts.com & www.iec-corp.com**

**KNOBS**  
**FLAT BALL KNOBS**

**Flat Top Ball Knob**

These phenolic flat top ball knobs are offered with plastic molded threads.



**PHENOLIC BALL KNOB WITH PLASTIC MOLDED THREADS**

P/N	DIA.	Height	Width	Thread	Depth
IL406-2X50	5/8	5/8	5/8	8-32	1/2
IL407-4X62	1-1/4	1-3/16	5/8	1/4-20	5/8
IL407-5FX62	1-1/4	1-3/16	5/8	5/16-24	5/8
IL407-5X62	1-1/4	1-3/16	5/8	5/16-18	5/8
IL407-6FX75	1-1/4	1-3/16	5/8	3/8-24	3/4
IL407-6X75	1-1/4	1-3/16	5/8	3/8-16	3/4
IL408-6X62	1-3/8	1-11/32	5/8	3/8-16	5/8
IL408-7X87	1-3/8	1-11/32	5/8	1/2-13	7/8
IL409-6FX75	1-1/2	1-7/16	13/16	3/8-24	3/4
IL409-6X75	1-1/2	1-7/16	13/16	3/8-16	3/4
IL409-7X87	1-1/2	1-7/16	13/16	1/2-13	7/8
IL410-6FX75	1-3/4	1-11/16	5/8	3/8-24	3/4
IL410-6X75	1-3/4	1-11/16	5/8	3/8-16	3/4
IL411-6FX75	2	1-13/16	1	3/8-24	3/4
IL411-6X75	2	1-13/16	1	3/8-16	3/4
IL411-7FX1	2	1-13/16	1	1/2-20	1
IL411-7X1	2	1-13/16	1	1/2-13	1
IL411-8FX112	2	1-13/16	1	5/8-18	1-1/8
IL414-3X38	3/4	23/32	15/32	10-32	3/8
IL414-4X38	3/4	23/32	15/32	1/4-20	3/8
IL415-4X38	1	29/32	9/16	1/4-20	3/8
IL415-5X50	1	29/32	9/16	5/16-18	1/2
IL416-5X50	1-1/4	1-3/16	5/8	5/16-18	1/2
IL417-6X50	1-3/8	1-11/32	5/8	3/8-16	1/2
IL418-6X50	1-1/2	1-1/2	5/8	3/8-16	1/2
IL419-7X75	2	1-13/16	1	1/2-13	3/4



**KNOBS**  
**KNURLED KNOBS**

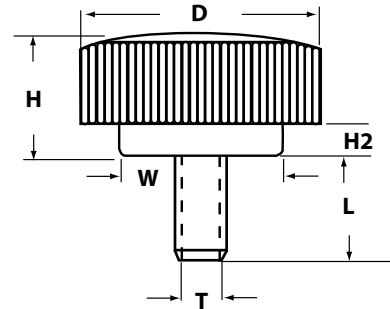
**Knurled Knobs**

Phenolic Knurled Knobs are offered with a brass threaded insert, a zinc-plated steel stud or a stainless steel stud.



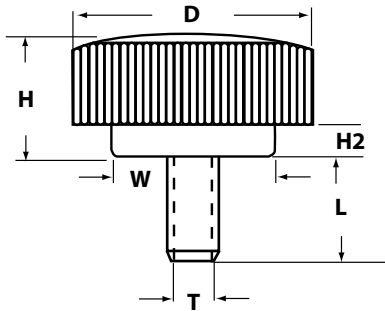
**PHENOLIC KNURLED KNOB WITH BRASS THREAD INSERT**

P/N	DIA.	Height	Width	H2	Thread	Length
IL420-3FX38	1	1/2	11/16	5/32	10-32	3/8
IL420-3X38	1	1/2	11/16	5/32	10-24	3/8
IL420-4X38	1	1/2	11/16	5/32	1/4-20	3/8



**PHENOLIC KNURLED KNOB WITH ZINC PLATED STEEL STUD**

P/N	DIA.	Height	Width	H2	Thread	Length
IL421-3FX50	1	1/2	11/16	5/32	10-32	1/2
IL421-4X50	1	1/2	11/16	5/32	1/4-20	1/2
IL421-4X1	1	1/2	11/16	5/32	1/4-20	1



**PHENOLIC KNURLED KNOB WITH 303 STAINLESS STEEL STUD**

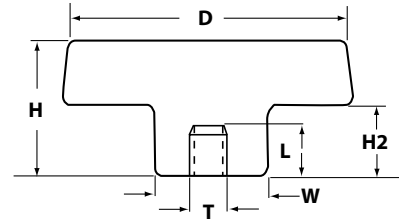
P/N	DIA.	Height	Width	H2	Thread	Length
IL421-3FX50-SS	1	1/2	11/16	5/32	10-32	1/2
IL421-3FX1-SS	1	1/2	11/16	5/32	10-32	1
IL421-4X50-SS	1	1/2	11/16	5/32	1/4-20	1/2
IL421-4X1-SS	1	1/2	11/16	5/32	1/4-20	1
IL421-4X150-SS	1	1/2	11/16	5/32	1/4-20	1-1/2
IL421-5X50-SS	1	1/2	11/16	5/32	5/16-18	1/2
IL421-5X1-SS	1	1/2	11/16	5/32	5/16-18	1
IL421A-3FX1-SS	1-3/4	11/16	1	7/16	10-32	1
IL421A-4X50-SS	1-3/4	11/16	1	7/16	1/4-20	3/4
IL421A-5X50-SS	1-3/4	11/16	1	7/16	5/16-18	1/2
IL421A-5X75-SS	1-3/4	11/16	1	7/16	5/16-18	3/4
IL421A-5X1-SS	1-3/4	11/16	1	7/16	5/16-18	1





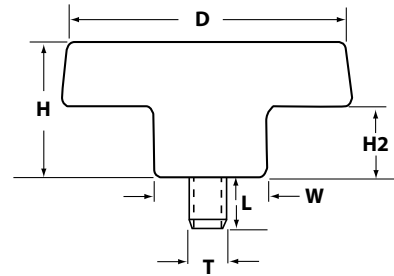
**T Knobs**

Phenolic T-knobs are offered with a brass threaded insert, a zinc-plated steel stud or a stainless steel stud.



**PHENOLIC T-KNOB WITH BRASS THREAD INSERT**

P/N	DIA.	Height	Width	H2	Thread	Length
IL422-4X38	2	1-1/8	3/4	1/2	1/4-20	3/8
IL422-5X50	2	1-1/8	3/4	1/2	5/16-18	1/2
IL422-6X50	2	1-1/8	3/4	1/2	3/8-16	1/2



**PHENOLIC T-KNOB WITH ZINC PLATED STEEL STUD**

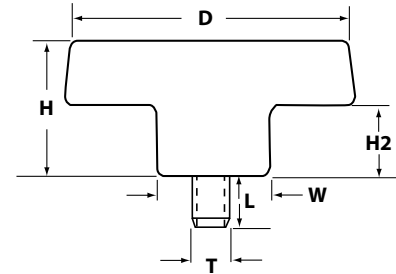
P/N	DIA.	Height	Width	H2	Thread	Length
IL423-4X50	2	1-1/8	3/4	1/2	1/4-20	1/2
IL423-5X75	2	1-1/8	3/4	1/2	5/16-18	3/4
IL423-6X1	2	1-1/8	3/4	1/2	3/8-16	1



**KNOBS**  
**T KNOBS & 3 LOBE KNOBS**

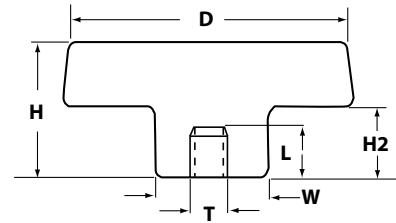
**T-Knobs**

Phenolic T-Knobs are offered with a brass threaded insert, a zinc-plated steel stud or a stainless steel stud.



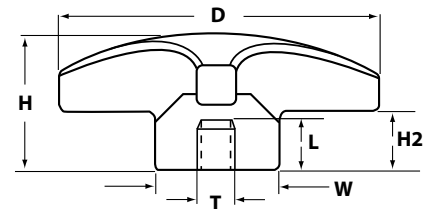
**PHENOLIC T-KNOB WITH 303 STAINLESS STEEL STUD**

P/N	Dia.	Height	Width	H2	Thread	Length
IL423-4X75-SS	2	1-1/8	3/4	1/2	1/4-20	3/4
IL423-5X50-SS	2	1-1/8	3/4	1/2 *	5/16-18	1/2
IL423-5X1-SS	2	1-1/8	3/4	1/2 *	5/16-18	1
IL423-6X1-SS	2	1-1/8	3/4	1/2	3/8-16	1



**NYLON T-KNOB THRU HOLE WITH BRASS THREADED INSERT**

P/N	Dia.	Height	Width	H2	Thread	Length
IL422-4X50-TH	1-1/8	11/16	1/2	9/16	1/4-20	1/2



**PHENOLIC 3 LOBE KNOB WITH BRASS THREAD INSERT**

P/N	Dia.	Height	Width	H2	Thread	Length
IL424-4X38	1-1/2	29/32	19/32	9/16	1/4-20	3/8
IL424-5X50	1-1/2	29/32	19/32	9/16	5/16-18	1/2
IL424-6X50	1-1/2	29/32	19/32	9/16	3/8-16	1/2
IL425-5X75	2-1/2	1-1/8	7/8	1/2	5/16-18	1/2
IL425-6X1	2-1/2	1-1/8	7/8	1/2	3/8-16	1/2
IL425-7X1	2-1/2	1-1/8	7/8	3/4	1/2-13	1/2

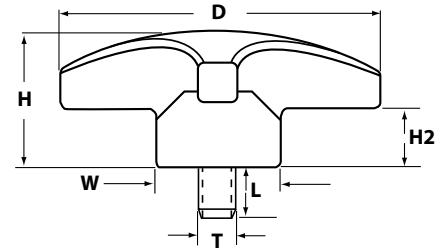
Phenolic 3 Lobe Knobs are offered with a brass threaded insert, a zinc-plated steel stud or a stainless steel stud.



**KNOBS**  
**3 LOBE KNOBS**

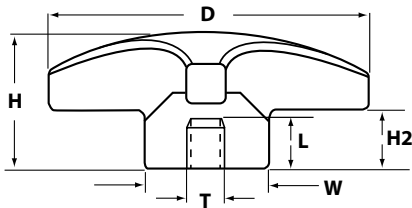
**3 Lobe Knobs**

Phenolic 3 Lobe Knobs are offered with a brass threaded insert, a zinc-plated steel stud or a stainless steel stud.



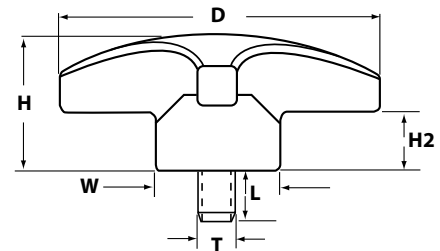
**PHENOLIC 3 LOBE KNOB WITH ZINC PLATED STEEL STUD**

P/N	DIA.	Height	Width	H2	Thread	Length
IL426-3FX50	1-1/2	29/32	19/32	9/16	10-32	1/2
IL426-4X75	1-1/2	29/32	19/32	9/16	1/4-20	3/4
IL426-4X150	1-1/2	29/32	19/32	9/16	1/4-20	1-1/2
IL426-5X50	1-1/2	29/32	19/32	9/16	5/16-18	1/2
IL426-5X50	1-1/2	29/32	19/32	9/16	5/16-18	3/4
IL426-5X150	1-1/2	29/32	19/32	9/16	5/16-18	1-1/2
IL426-6X1	1-1/2	29/32	19/32	9/16	3/8-16	1
IL427-5X75	2-1/2	1-1/8	7/8	1/2	5/16-18	1
IL427-6X1	2-1/2	1-1/8	7/8	1/2	3/8-16	1
IL427-7X1	2-1/2	1-1/8	7/8	1/2	1/2-13	1



**PHENOLIC 3 LOBE THRU HOLE WITH BRASS THREADED INSERT**

P/N	DIA.	Height	Width	H2	Thread	Length
IL424-3FX25-TH	1-1/8	3/4	1/2	1/4	10-32	1/4
IL424-4X25-TH	1-1/2	7/8	5/8	1/4	1/4-20	1/4
IL424-5X25-TH	1-1/2	7/8	5/8	1/4	5/16-18	1/4
IL424-6X25-TH	1-1/2	7/8	5/8	1/4	3/8-16	1/4



**PHENOLIC 3 LOBE KNOB WITH 303 STAINLESS STEEL STUD**

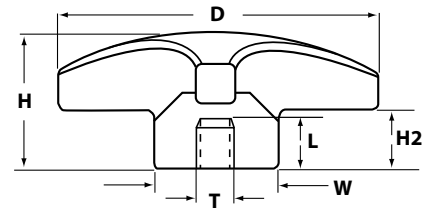
P/N	DIA.	Height	Width	H2	Thread	Length
IL426-3FX1-SS	1-1/2	29/32	19/32	9/16	10-32	1
IL426-4X75-SS	1-1/2	29/32	19/32	9/16	1/4-20	3/4
IL426-4X150-SS	1-1/2	29/32	19/32	9/16	1/4-20	1-1/2
IL426-5X50-SS	1-1/2	29/32	19/32	9/16	5/16-18	1/2
IL426-5X1-SS	1-1/2	29/32	19/32	9/16	5/16-18	1
IL426-6X150-SS	1-1/2	29/32	19/32	9/16	3/8-16	1-1/2



**KNOBS**  
**4 LOBE KNOBS**

**4 Lobe Knobs**

Phenolic 4 Lobe Knobs are offered with a brass threaded insert, a zinc-plated steel stud or a stainless steel stud.



**PHENOLIC 4 LOBE KNOB WITH BRASS THREADED INSERT**

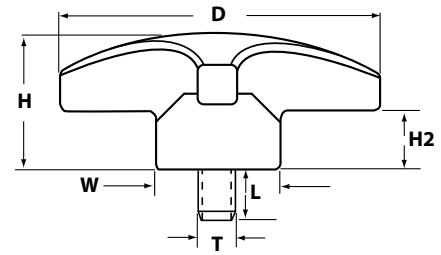
P/N	DIA.	Height	Width	H2	Thread	Length
IL430-2X38	1	5/8	1/2	11/32	8-32	3/8
IL430-3FX38	1	5/8	1/2	11/32	10-32	3/8
IL430-3X38	1	5/8	1/2	11/32	10-24	3/8
IL430-4X38	1	5/8	1/2	11/32	1/4-20	3/8
IL431-3FX38	1-1/4	25/32	21/32	15/32	10-32	3/8
IL431-4X38	1-1/4	25/32	21/32	15/32	1/4-20	3/8
IL431-5X50	1-1/4	25/32	21/32	15/32	5/16-18	1/2
IL432-4X38	1-1/2	1	27/32	19/32	1/4-20	3/8
IL432-5FX50	1-1/2	1	27/32	19/32	5/16-24	1/2
IL432-5X50	1-1/2	1	27/32	19/32	5/16-18	1/2
IL432-6FX50	1-1/2	1	27/32	19/32	3/8-24	1/2
IL432-6X50	1-1/2	1	27/32	19/32	3/8-16	1/2
IL433-4X38	2	1-1/4	1	3/4	1/4-20	3/8
IL433-5FX50	2	1-1/4	1	3/4	5/16-24	1/2
IL433-5X50	2	1-1/4	1	3/4	5/16-18	1/2
IL433-6FX50	2	1-1/4	1	3/4	3/8-24	1/2
IL433-6X50	2	1-1/4	1	3/4	3/8-16	1/2
IL433-7FX75	2	1-1/4	1	3/4	1/2-20	3/4
IL433-7X75	2	1-1/4	1	3/4	1/2-13	3/4
IL434-5FX50	2-1/2	1-19/32	1-9/32	15/16	5/16-24	1/2
IL434-5X50	2-1/2	1-19/32	1-9/32	15/16	5/16-18	1/2
IL434-6FX50	2-1/2	1-19/32	1-9/32	15/16	3/8-24	1/2
IL434-6X50	2-1/2	1-19/32	1-9/32	15/16	3/8-16	1/2
IL434-7FX75	2-1/2	1-19/32	1-9/32	15/16	1/2-20	3/4
IL434-7X75	2-1/2	1-19/32	1-9/32	15/16	1/2-13	3/4
IL435-6FX50	3-1/8	2	1-21/32	1-3/16	3/8-24	1/2
IL435-6X50	3-1/8	2	1-21/32	1-3/16	3/8-16	1/2
IL435-7FX75	3-1/8	2	1-21/32	1-3/16	1/2-20	3/4
IL435-7X75	3-1/8	2	1-21/32	1-3/16	1/2-13	3/4



**KNOBS**  
**4 LOBE KNOBS**

**Knobs & Adjustable Ratchet Levers**

Phenolic 4 Lobe Knobs are offered with a brass threaded insert, a zinc-plated steel stud or a stainless steel stud..



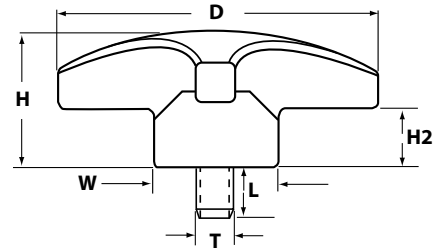
**PHENOLIC 4 LOBE KNOB WITH ZINC PLATED STEEL STUD**

P/N	DIA.	Height	Width	H2	Thread	Length
IL440-3FX50	1	5/8	1/2	11/32	10-32	1/2
IL440-3X50	1	5/8	1/2	11/32	10-24	1/2
IL440-4X50	1	5/8	1/2	11/32	1/4-20	1/2
IL441-3FX75	1-1/4	25/32	21/32	15/32	10-32	3/4
IL441-4X75	1-1/4	25/32	21/32	15/32	1/4-20	3/4
IL441-5X50	1-1/4	25/32	21/32	15/32	5/16-18	1/2
IL441-5X75	1-1/4	25/32	21/32	15/32	5/16-18	3/4
IL442-4X50	1-1/2	1	27/32	19/32	1/4-20	1/2
IL442-4X1	1-1/2	1	27/32	19/32	1/4-20	1
IL442-5X50	1-1/2	1	27/32	19/32	5/16-18	1/2
IL442-5X1	1-1/2	1	27/32	19/32	5/16-18	1
IL443-4X1	2	1-1/4	1	3/4	1/4-20	1
IL443-5X50	2	1-1/4	1	3/4	5/16-18	1/2
IL443-5X1	2	1-1/4	1	3/4	5/16-18	1
IL443-6FX75	2	1-1/4	1	3/4	3/8-24	3/4
IL443-6X75	2	1-1/4	1	3/4	3/8-16	3/4
IL443-6X1	2	1-1/4	1	3/4	3/8-16	1
IL443-6X150	2	1-1/4	1	3/4	3/8-16	1-1/2
IL443-6X2	2	1-1/4	1	3/4	3/8-16	2
IL443-7X75	2	1-1/4	1	3/4	1/2-13	3/4
IL443-7X2	2	1-1/4	1	3/4	1/2-13	2
IL444-5X1	2-1/2	1-19/32	1-9/32	15/16	5/16-18	1
IL444-6X1	2-1/2	1-19/32	1-9/32	15/16	3/8-16	1
IL444-7X1	2-1/2	1-19/32	1-9/32	15/16	1/2-13	1
IL445-6FX1	3-1/8	2	1-21/32	1-3/16	3/8-24	1
IL445-6X1	3-1/8	2	1-21/32	1-3/16	3/8-16	1
IL445-7FX1	3-1/8	2	1-21/32	1-3/16	1/2-20	1
IL445-7X1	3-1/8	2	1-21/32	1-3/16	1/2-13	1



**4 Lobe Knobs**

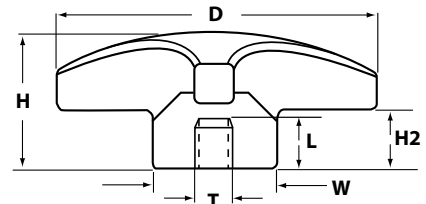
Phenolic 4 Lobe Knobs are offered with a brass threaded insert, a zinc-plated steel stud or a stainless steel stud.



**PHENOLIC 4 LOBE KNOB WITH 303 STAINLESS STEEL STUD**

P/N	DIA.	Height	Width	H2	Thread	Length
IL442-2X50-SS	1-1/2	1	27/32	19/32	8-32	1/2
IL442-2X1-SS	1-1/2	1	27/32	19/32	8-32	1
IL442-3FX50-SS	1-1/2	1	27/32	19/32	10-32	1/2
IL442-3FX1-SS	1-1/2	1	27/32	19/32	10-32	1
IL442-4X75-SS	1-1/2	1	27/32	19/32	1/4-20	3/4
IL445-4X75-SS	2	1	27/32	19/32	1/4-20	3/4
IL445-5X50-SS	2	1	27/32	19/32	5/16-18	1/2
IL445-5X1-SS	2	1	27/32	19/32	5/16-18	1

Phenolic 4 Lobe Thru Hole Knobs are offered with a brass threaded insert.



**PHENOLIC 4 LOBE KNOB THRU HOLE WITH BRASS THREADED INSERT**

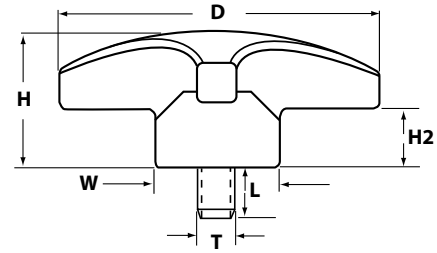
P/N	DIA.	Height	Width	H2	Thread	Length
IL446-2X38	1	5/8	1/2	11/32	8-32	3/8
IL446-3FX38	1	5/8	1/2	11/32	10-32	3/8
IL446-4X50	1	5/8	1/2	11/32	1/4-20	3/8
IL447-3FX38	1-1/4	25/32	21/32	15/32	10-32	3/8
IL447-4X38	1-1/4	25/32	21/32	15/32	1/4-20	3/8
IL448-4X38	1-1/2	1	27/32	19/32	1/4-20	3/8
IL448-5X50	1-1/2	1	27/32	19/32	5/16-18	1/2
IL448-5X50	1-1/2	1	27/32	19/32	3/8-16	1/2
IL449-4X38	2	1-1/4	1	3/4	1/4-20	3/8
IL449-5X1/2	2	1-1/4	1	3/4	5/16-18	1/2
IL449-6FX50	2	1-1/4	1	3/4	3/8-24	1/2
IL449-6X50	2	1-1/4	1	3/4	3/8-16	1/2
IL449-7FX75	2	1-1/4	1	3/4	1/2-20	3/4
IL449-7X75	2	1-1/4	1	3/4	1/2-13	3/4
IL449A-6X75	2-3/8	1-1/4	1	3/4	3/8-16	3/4
IL449A-6X75	2-3/8	1-1/4	1	3/4	1/2-13	3/4
IL449B-4X75	3	1-1/4	1	3/4	3/8-16	3/4



**KNOBS**  
**5 LOBE KNOBS**

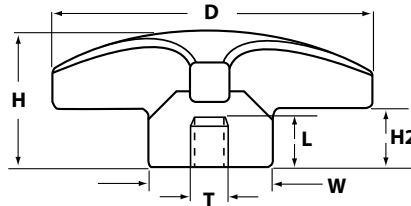
**5 Lobe Knobs**

Phenolic 5 Lobe Knobs are offered with a brass threaded insert, a zinc-plated steel stud or a stainless steel stud.



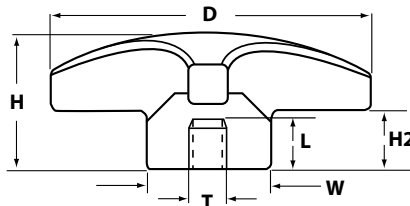
**PHENOLIC 5 LOBE KNOB WITH STAINLESS STEEL STUD**

P/N	DIA.	Height	Width	H2	Thread	Length
IL455-4X50-SS	1-1/4	13/16	7/8	3/8	1/4-20	1/2
IL455-5X50-SS	1-1/4	13/16	7/8	3/4	5/16-18	1/2
IL455-5X1-SS	1-1/4	13/16	7/8	3/4	5/16-18	1
IL456-4X50-SS	1-3/4	1-1/4	1-3/16	1/4	1/4-20	1/2
IL456-5X50-SS	1-3/4	1-1/4	1-3/16	1/4	5/16-18	1/2
IL456-5SX1-SS	1-3/4	1-1/4	1-3/16	1/4	5/16-18	1



**PHENOLIC. 5 LOBE WITH ZINC-PLATED STEEL THREADED INSERT**

P/N	DIA.	Height	Width	H2	Thread	Length
IL450-4X50	1-1/4	1	7/8	3/4	1/4-20	1/2
IL450-5X50	1-1/4	1	7/8	3/4	5/16-18	1/2
IL451-4X50	1-3/4	1	7/8	3/4	1/4-20	1/2
IL451-5X50	1-3/4	1	7/8	3/4	1/4-20	1/2



**PHENOLIC 5 LOBE KNOB WITH BRASS THREADED INSERT**

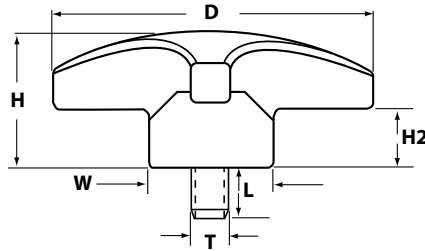
P/N	DIA.	Height	Width	H2	Thread	Length
IL452-4X38	2-1/4	3/4	7/8	1/4	1/4-20	3/8
IL452-5X50	2-1/4	3/4	7/8	1/4	5/16-18	1/2
IL452-6X50	2-1/4	3/4	7/8	1/4	1/4-20	1/2



**KNOBS**  
**5&6 LOBE KNOBS**

**5 & 6 Lobe Knobs**

Phenolic 5 & 6 Lobe Knobs are offered with a brass threaded insert, a zinc-plated steel stud or a stainless steel stud.



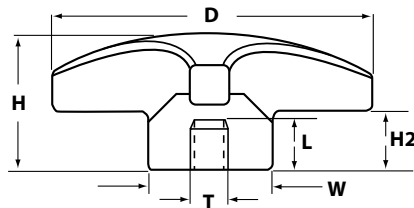
**PHENOLIC 5 LOBE KNOB WITH ZINC-PLATED STEEL STUD**

P/N	DIA.	Height	Width	H2	Thread	Length
IL453-4X1	1-1/4	1-1/4	7/8	3/4	1/4-20	1
IL453-5X150	1-1/4	1-1/4	7/8	3/4	5/16-18	1-1/2
IL453-4X150	1-3/4	1-1/4	7/8	3/4	1/4-20	1-1/2
IL453-5X2	1-3/4	1-1/4	7/8	3/4	5/16-18	2
IL454-5X75	2-1/2	3/4	7/8	1/4	5/16-18	3/4
IL454-6X1	2-1/2	3/4	7/8	1/4	3/8-16	1



**PHENOLIC 5 LOBE KNOB THRU HOLE WITH STEEL INSERT**

P/N	DIA.	Height	Width	H2	Thread	Length
IL457-4x1	2-1/4	23/32	27/32	1/4	1/4-20	3/8
IL457-5X1	2-1/4	23/32	27/32	1/4	5/16-18	3/8
IL457-6X1	2-1/4	23/32	27/32	1/4	3/8-16	3/8



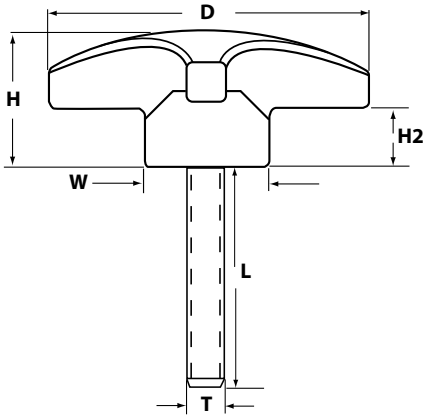
**PHENOLIC 6 LOBE KNOB WITH BRASS THREADED INSERT**

P/N	DIA.	Height	Width	H2	Thread	Length
IL460-3FX25	1-1/4	3/4	5/8	3/8	10-24	1/4
IL460-4X38	1-1/4	3/4	5/8	3/8	1/4-20	3/8
IL460-5X50	1-1/4	3/4	5/8	1/2	5/16-18	1/2
IL461-4X38	1-1/2	1	11/16	1/2	1/4-20	3/8
IL461-5X50	1-1/2	1	11/16	1/2	5/16-18	1/2
IL461-6X56	1-1/2	1	11/16	1/2	3/8-16	9/16
IL462-5X50	2	1-1/8	3/4	9/16	5/16-18	1/2
IL462-6X56	2	1-1/8	3/4	9/16	3/8-16	1/2
IL462-6X75	2	1-1/8	3/4	9/16	1/2-13	1/2
IL463-5X50	2-3/8	1-1/4	1	3/4	5/16-18	1/2
IL463-6X56	2-3/8	1-1/4	1	3/4	3/8-16	9/16
IL463-7X75	2-3/8	1-1/4	1	3/4	1/2-13	3/4



**6 & 7 Lobe Knobs**

Phenolic 6 Lobe Knobs are offered with a brass threaded insert, a zinc-plated steel stud or a stainless steel stud.

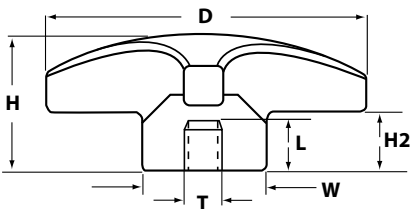


**PHENOLIC 6 LOBE KNOB WITH ZINC PLATED STEEL STUD**

P/N	DIA.	Height	Width	H2	Thread	Length
IL464-4X75	7/8	3/4	1/2	3/8	1/4-20	3/4
IL465-4X50	1-1/4	7/8	3/4	3/8	1/4-20	1/2
IL465-4X75	1-1/4	7/8	3/4	3/8	1/4-20	3/4
IL465-4X1	1-1/4	7/8	3/4	3/8	1/4-20	1
IL465-5X75	1-1/4	7/8	3/4	3/8	5/16-18	3/4
IL465-5X1	1-1/4	7/8	3/4	3/8	5/16-18	1
IL465-5X150	1-1/4	7/8	3/4	3/8	5/16-18	1-1/2
IL466-5X125	1-3/4	1	7/8	3/8	5/16-18	1-1/4
IL466-6X1	1-3/4	1	7/8	3/8	3/8-16	1
IL466-6X125	1-3/4	1	7/8	3/8	3/8-16	1-1/4
IL466-6X175	1-3/4	1	7/8	3/8	3/8-16	1-3/4
IL467-6X150	2-1/4	1-1/4	1	7/16	3/8-16	1-1/2
IL467-7X150	2-1/4	1-1/4	1	7/16	1/2-13	1-1/2
IL467-7X2	2-1/4	1-1/4	1	7/16	1/2-13	2
IL468-7X150	2-5/8	1-5/8	1-1/8	5/8	1/2-13	1-1/2
IL468-7X2	2-5/8	1-5/8	1-1/8	5/8	1/2-13	2



Phenolic 7 Lobe Knobs are offered with a brass threaded insert, a zinc-plated steel stud or a stainless steel stud.



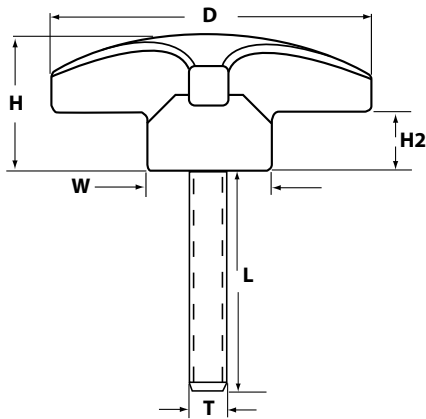
**THERMOPLASTIC 7 LOBE KNOB WITH STEEL THREADED INSERT**

P/N	DIA.	Height	Width	H2	Thread	Length
IL470-2X38	1	5/8	1/2	5/16	8-32	3/8
IL470-3FX38	1	5/8	1/2	5/16	10-32	3/8
IL470-4X38	1	5/8	1/2	5/16	1/4-20	3/8
IL471-3FX38	1-1/4	3/4	9/16	3/8	10-32	3/8
IL471-4X38	1-1/4	3/4	9/16	3/8	1/4-20	3/8
IL472-5X56	1-9/16	1	11/16	1/2	5/16-18	9/16
IL472-6X56	1-9/16	1	11/16	1/2	3/8-16	9/16
IL473-5X56	2	1-1/4	7/8	11/16	5/16-18	9/16
IL473-6X56	2	1-1/4	7/8	11/16	3/8-16	9/16
IL473-7X69	2	1-1/4	7/8	11/16	5/16-18	11/16
IL474-6X56	2-1/2	1-1/2	1	13/16	3/8-16	9/16
IL474-6X56	2-1/2	1-1/2	1	13/16	1/2-13	11/16
IL474-6X56	2-1/2	1-1/2	1	13/16	5/8-11	11/16



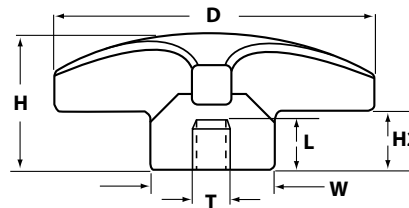
**7 & 8 Lobe Knobs**

Phenolic 7 Lobe Knobs are offered with a brass threaded insert, a zinc-plated steel stud or a stainless steel stud.



**PHENOLIC 7 LOBE KNOB WITH ZINC PLATED STEEL STUD**

P/N	DIA.	Height	Width	H2	Thread	Length
IL475-3FX38	1	5/8	1/2	5/16	10-32	3/8
IL475-3FX75	1	5/8	1/2	5/16	10-32	3/4
IL475-4X75	1	5/8	1/2	5/16	1/4-20	3/4
IL475-4X112	1	5/8	1/2	5/16	1/4-20	1-1/8
IL476-4X75	1-1/4	7/8	9/16	3/8	5/16-18	3/4
IL476-4X112	1-1/4	7/8	9/16	3/8	5/16-18	1-1/8
IL476-5X75	1-1/4	7/8	9/16	3/8	5/16-18	3/4
IL476-5X156	1-1/4	7/8	9/16	3/8	5/16-18	1-9/16
IL477-5X75	1-9/16	1	11/16	1/2	5/16-18	3/4
IL477-5X156	1-9/16	1	11/16	1/2	5/16-18	1-9/16
IL477-6X75	1-9/16	1	11/16	1/2	3/8-16	3/4
IL477-6X156	1-9/16	1	11/16	1/2	3/8-16	1-9/16
IL478-6X75	2	1-1/4	7/8	11/16	3/8-16	3/4
IL478-6X156	2	1-1/4	7/8	11/16	3/8-16	1-9/16
IL478-7X112	2	1-1/4	7/8	11/16	1/2-13	1-1/8
IL478-7X238	2	1-1/4	7/8	11/16	1/2-13	2-3/8
IL479-6X75	2-1/2	1-9/16	1	13/16	3/8-16	3/4
IL479-6X156	2-1/2	1-9/16	1	13/16	3/8-16	1-9/16
IL479-7X112	2-1/2	1-9/16	1	13/16	1/2-13	1-1/8
IL479-7X238	2-1/2	1-9/16	1	13/16	1/2-13	2-3/8



Phenolic 8 Lobe Knobs are offered with a brass threaded insert, a zinc-plated steel stud or a stainless steel stud.



**PHENOLIC 8 LOBE KNOB WITH BRASS THREADED INSERT**

P/N	DIA.	Height	Width	H2	Thread	Length
IL480-3FX31	1-3/8	7/8	7/8	3/8	10-32	5/16
IL480-4X43	1-3/8	7/8	7/8	3/8	1/4-20	7/16
IL480-5X43	1-3/8	7/8	7/8	3/8	5/16-18	7/16
IL481-4X43	1-3/4	1-1/16	1-1/16	1/2	1/4-20	7/16
IL481-4X43	1-3/4	1-1/16	1-1/16	1/2	5/16-18	7/16
IL481-4X43	1-3/4	1-1/16	1-1/16	1/2	3/8-16	7/16
IL482-6X50	2-3/8	1-5/16	1-1/4	5/8	3/8-16	1/2
IL482-6X62	2-3/8	1-5/16	1-1/4	5/8	1/2-13	5/8
IL483-6X50	3-1/4	1-7/8	2	7/8	3/8-16	1/2
IL483-7X62	3-1/4	1-7/8	2	7/8	1/2-13	5/8
IL483-8X75	3-1/4	1-7/8	2	7/8	5/8-11	3/4
IL483-8FX75	3-1/4	1-7/8	2	7/8	5/8-18	3/4



**HANDLES**  
**TAPERED HANDLES**

**Tapered Handles**

These black phenolic tapered handles have a brass threaded insert.



**A STYLE KNOB - ROUND TOP WITH RIBS**

P/N	DIA.	Height	Width	Thread	Depth
IL490-4x50	1-1/8	4	7/8	1/4-20	1/2
IL490-6x75	1-3/8	4-7/8	1	3/8-16	3/4
IL490-7x1	1-3/8	4-7/8	1	1/2-13	1

**B STYLE KNOB - FLAT TOP WITH RIBS**

P/N	DIA.	Height	Width	Thread	Depth
IL491-4x50	1-1/8	4	7/8	1/4-20	1/2
IL491-6x75	1-3/8	4-7/8	1	3/8-16	3/4
IL491-7x1	1-3/8	4-7/8	1	1/2-13	1

**C STYLE KNOB - FLAT TOP**

P/N	DIA.	Height	Width	Thread	Depth
IL492-4x38	11/16	2-1/2	1/2	1/4-20	3/8
IL493-4x38	7/8	2-7/8	9/16	1/4-20	3/8
IL493-5x75	7/8	2-7/8	9/16	5/16-18	3/4
IL494-4x44	1	2-5/8	5/8	1/4-20	7/16
IL494-5x44	1	2-5/8	5/8	5/16-18	7/16
IL494-6x50	1	2-5/8	5/8	3/8-16	1/2
IL494A-5x50	1	3-1/2	11/16	5/16-18	1/2
IL494A-6x62	1	3-1/2	11/16	3/8-16	5/8
IL494A-6x2	1	3-1/2	11/16	3/8-16	2
IL494B-5x50	1	4-3/16	11/16	5/16-18	1/2
IL494B-6x50	1	4-3/16	11/16	3/8-16	1/2
IL495-4x50	1-1/8	3-7/8	3/4	1/4-20	1/2
IL495-5x62	1-1/8	3-7/8	3/4	5/16-18	5/8
IL495-6x62	1-1/8	3-7/8	3/4	3/8-16	5/8
IL495-6Fx62	1-1/8	3-7/8	3/4	3/8-24	5/8
IL495-6F2x62	1-1/8	3-7/8	3/4	7/16-20	5/8
IL495-6x2	1-1/8	3-7/8	3/4	3/8-16	2
IL495-6Fx2	1-1/8	3-7/8	3/4	3/8-24	2
IL495-6F2x2	1-1/8	3-7/8	3/4	7/16-20	2

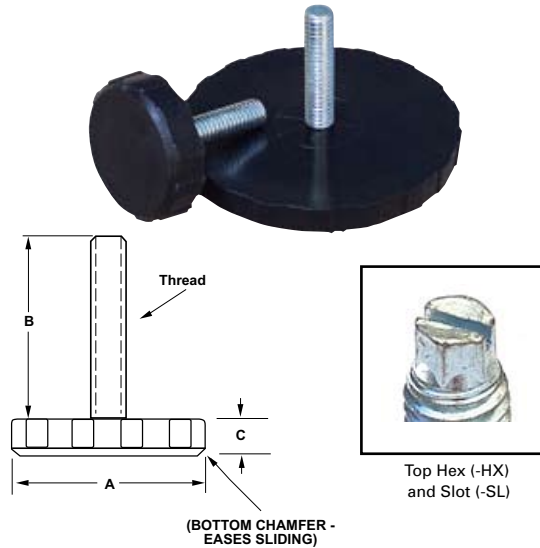
**D STYLE KNOB - FLAT TOP, SHORT HANDLE**

P/N	DIA.	Height	Width	Thread	Length
IL496-1x38	3/4	1	3/8	6-32	3/8
IL496-2x38	3/4	1	1/2	8-32	3/8
IL496-2x38	3/4	1	1/2	10-24	3/8
IL496-2Fx38	3/4	1	1/2	10-32	3/8
IL496-4x38	3/4	1	1/2	1/4-20	3/8



**Low Profile Knobs**

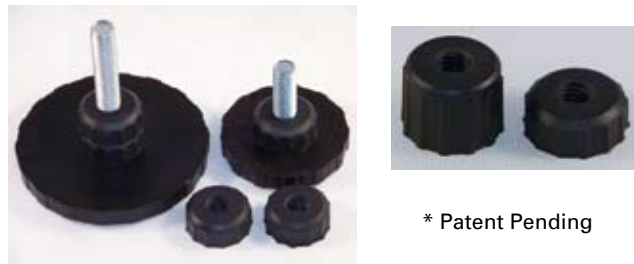
These *Low Profile Shoulderless Knobs* have a black polypropylene base and grip ridges on the outside diameter. The threaded studs are available in zinc-plated steel or stainless steel. Other colors also available: clear, white, brown, blue, red, gray, etc.



Many colors available as custom option.

**Threaded Nylon Knob Hubs/Sleeves**

These *glass-filled black nylon threaded knob hubs* can be used for many applications; as an adjustable height shoulder on a knob or leveler or stacked to create a sleeve to hide the threads of a leveler or knob. This will also help stabilize loads positioned near the top threads of long studs. They can also be used as a "thru-hole" knob or a locking nut.



\* Patent Pending

**BLACK NYLON THREADED KNOB HUBS**

P/N	THREAD	DIA.	HEIGHT
IL80-HUB-4-THRU	1/4-20	1"	3/8
IL80-HUB-5-THRU	5/16-18	1"	3/8
IL80-HUB-6-THRU	3/8-16	1"	3/8
IL80A-HUB-4-THRU	1/4-20	1"	3/4
IL80A-HUB-5-THRU	5/16-18	1"	3/4
IL80A-HUB-6-THRU	3/8-16	1"	3/4

Steel	SS	Load	Thread	A	B	C
<b>Steel and Stainless Steel Knob Style Glides</b>						
IL82-4Bx1/4	IL82-4BSx1/4	100	1/4-20	1-1/2	1/4	3/8
IL82-4Bx1/2	IL82-4BSx1/2	100	1/4-20	1-1/2	1/2	3/8
IL82-4Bx1/2-HX-SL		100	1/4-20	1-1/2	1/2	3/8
IL82-4Bx3/4	IL82-4BSx3/4	100	1/4-20	1-1/2	3/4	3/8
IL82-4Bx3/4-HX-SL		100	1/4-20	1-1/2	3/4	3/8
IL82-4Bx1	IL82-4BSx1	100	1/4-20	1-1/2	1	3/8
IL82-4Bx1-HX-SL		100	1/4-20	1-1/2	1	3/8
IL82-4Bx125	IL82-4BSx125	100	1/4-20	1-1/2	1-1/4	3/8
IL82-4Bx125-HX-SL		100	1/4-20	1-1/2	1-1/4	3/8
IL82-4Bx150	IL82-4BSx150	100	1/4-20	1-1/2	1-1/2	3/8
IL82-4Bx175	IL82-4BSx175	100	1/4-20	1-1/2	1-3/4	3/8
IL82-4Bx175-HX-SL		100	1/4-20	1-1/2	1-3/4	3/8
IL82-4Bx2	IL82-4BSx2	100	1/4-20	1-1/2	2	3/8
IL82-4Bx275	IL82-4BSx275	100	1/4-20	1-1/2	2-3/4	3/8
IL82-5Bx1/4	IL82-5BSx1/4	500	5/16-18	1-1/2	1/4	3/8
IL82-5Bx1/2	IL82-5BSx1/2	500	5/16-18	1-1/2	1/2	3/8
IL82-5Bx1/2-HX-SL		500	5/16-18	1-1/2	1/2	3/8
IL82-5Bx3/4	IL82-5BSx3/4	500	5/16-18	1-1/2	3/4	3/8
IL82-5Bx3/4-HX-SL		500	5/16-18	1-1/2	3/4	3/8
IL82-5Bx1	IL82-5BSx1	500	5/16-18	1-1/2	1	3/8
IL82-5Bx1-HX-SL		500	5/16-18	1-1/2	1	3/8
IL82-5Bx125	IL82-5BSx125	500	5/16-18	1-1/2	1-1/4	3/8
IL82-5Bx175	IL82-5BSx175	500	5/16-18	1-1/2	1-3/4	3/8
IL82-5Bx175-HX-SL		500	5/16-18	1-1/2	1-3/4	3/8
IL82-5Bx225-HX-SL		500	5/16-18	1-1/2	2-1/4	3/8
IL82-6Bx1/4	IL82-6BSx1/4	1000	3/8-16	1-1/2	1/4	3/8
IL82-6Bx1/2	IL82-6BSx1/2	1000	3/8-16	1-1/2	1/2	3/8
IL82-6Bx1/2-HX-SL		1000	3/8-16	1-1/2	1/2	3/8
IL82-6Bx3/4-HX-SL		1000	3/8-16	1-1/2	3/4	3/8
IL82-6Bx1	IL82-6BSx1	1000	3/8-16	1-1/2	1	3/8
IL82-6Bx1-HX-SL		1000	3/8-16	1-1/2	1	3/8
IL82-6Bx125	IL82-6BSx125	1000	3/8-16	1-1/2	1-1/4	3/8
IL82-6Bx125-HX-SL		1000	3/8-16	1-1/2	1-1/4	3/8
IL82-6Bx150	IL82-6BSx150	1000	3/8-16	1-1/2	1-1/2	3/8
IL82-6Bx175-HX-SL		1000	3/8-16	1-1/2	1-3/4	3/8
IL82-6Bx175	IL82-6BSx175	1000	3/8-16	1-1/2	1-3/4	3/8
IL82-6Bx238	IL82-6BSx238	1000	3/8-16	1-1/2	2-3/8	3/8
IL82-6Bx238-SL		1000	3/8-16	1-1/2	2-3/8	3/8
IL82-6Bx238-HX-SL		1000	3/8-16	1-1/2	2-3/8	3/8
IL82-6Bx275-HX-SL		1000	3/8-16	1-1/2	2-3/4	3/8
IL82-6Bx338-HX-SL		1000	3/8-16	1-1/2	3-3/8	3/8
IL82-7Bx3/4	IL82-7BSx3/4	1000	1/2-13	1-1/2	3/4	3/8
IL82-7Bx1	IL82-7BSx1	1000	1/2-13	1-1/2	1	3/8
IL82-7Bx125	IL82-7BSx125	1000	1/2-13	1-1/2	1-1/4	3/8
IL82-7Bx150	IL82-7BSx150	1000	1/2-13	1-1/2	1-1/2	3/8
IL82-7Bx238		1000	1/2-13	1-1/2	2-3/8	3/8
IL84-4Bx1/4	IL84-4BSx1/4	100	1/4-20	2	1/4	3/8
IL84-4Bx1/2	IL84-4BSx1/2	100	1/4-20	2	1/2	3/8
IL84-4Bx1/2-HX-SL		100	1/4-20	2	1/2	3/8
IL84-4Bx3/4	IL84-4BSx3/4	100	1/4-20	2	3/4	3/8
IL84-4Bx3/4-HX-SL		100	1/4-20	2	3/4	3/8
IL84-4Bx1	IL84-4BSx1	100	1/4-20	2	1	3/8
IL84-4Bx1-HX-SL		100	1/4-20	2	1	3/8
IL84-4Bx125	IL84-4BSx125	100	1/4-20	2	1-1/4	3/8
IL84-4Bx125-HX-SL		100	1/4-20	2	1-1/4	3/8
IL84-4Bx150	IL84-4BSx150	100	1/4-20	2	1-1/2	3/8
IL84-4Bx175	IL84-4BSx175	100	1/4-20	2	1-3/4	3/8
IL84-4Bx175-HX-SL		100	1/4-20	2	1-3/4	3/8
IL84-4Bx2	IL84-4BSx2	100	1/4-20	2	2	3/8
IL84-4Bx275	IL84-4BSx275	100	1/4-20	2	2-3/4	3/8
IL84-5Bx1/4	IL84-5BSx1/4	500	5/16-18	2	1/4	3/8
IL84-5Bx1/2	IL84-5BSx1/2	500	5/16-18	2	1/2	3/8
IL84-5Bx1/2-HX-SL		500	5/16-18	2	1/2	3/8
IL84-5Bx3/4	IL84-5BSx3/4	500	5/16-18	2	3/4	3/8
IL84-5Bx3/4-HX-SL		500	5/16-18	2	3/4	3/8
IL84-5Bx1	IL84-5BSx1	500	5/16-18	2	1	3/8
IL84-5Bx1-HX-SL		500	5/16-18	2	1	3/8
IL84-5Bx125	IL84-5BSx125	500	5/16-18	2	1-1/4	3/8
IL84-5Bx175	IL84-5BSx175	500	5/16-18	2	1-3/4	3/8
IL84-5Bx175-HX-SL		500	5/16-18	2	1-3/4	3/8
IL84-5Bx225-HX-SL		500	5/16-18	2	2-1/4	3/8



**INTERNATIONAL EQUIPMENT COMPONENTS, INC.**

Phone: **562.597.4533** eMail: **sales@iec-corp.com**

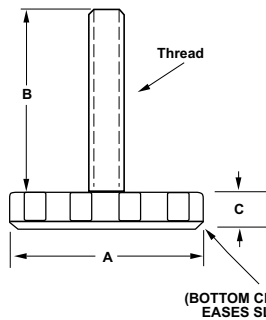
Web: **www.levelingmounts.com & www.iec-corp.com**

**KNOBS**

**LOW PROFILE KNOBS**

### Low Profile Knobs

These *Low Profile Shoulderless Knobs* have a black polypropylene base and grip ridges on the outside diameter. The threaded studs are available in zinc-plated steel or stainless steel. Other colors are also available: clear, white, brown, blue, red, gray, etc.



Top Hex (-HX) and Slot (-SL)



Many colors available as custom option.

### Threaded Nylon Knob Hubs/Sleeves

These *glass-filled black nylon threaded knob hubs* can be used for many applications; as an adjustable height shoulder on a knob or leveler or stacked to create a sleeve to hide the threads of a leveler or knob. This will also help stabilize loads positioned near the top threads of long studs. They can also be used as a "thru-hole" knob or a locking nut.



\* Patent Pending

#### BLACK NYLON THREADED KNOB HUBS

P/N	THREAD	DIA.	HEIGHT
IL80-HUB-4-THRU	1/4-20	1"	3/8
IL80-HUB-5-THRU	5/16-18	1"	3/8
IL80-HUB-6-THRU	3/8-16	1"	3/8
IL80A-HUB-4-THRU	1/4-20	1"	3/4
IL80A-HUB-5-THRU	5/16-18	1"	3/4
IL80A-HUB-6-THRU	3/8-16	1"	3/4

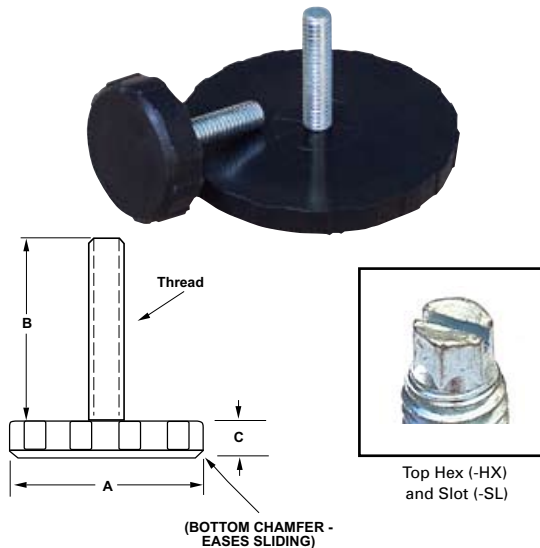
Steel	SS	Load	Thread	A	B	C
<b>Steel and Stainless Steel Knob Style Glides</b>						
IL84-6Bx1/4	IL84-6BSx1/4	1000	3/8-16	2	1/4	3/8
IL84-6Bx1/2	IL84-6BSx1/2	1000	3/8-16	2	1/2	3/8
IL84-6Bx1/2-HX-SL		1000	3/8-16	2	1/2	3/8
IL84-6Bx3/4-HX-SL		1000	3/8-16	2	3/4	3/8
IL84-6Bx1	IL84-6BSx1	1000	3/8-16	2	1	3/8
IL84-6Bx1-HX-SL		1000	3/8-16	2	1	3/8
IL84-6Bx125	IL84-6BSx125	1000	3/8-16	2	1-1/4	3/8
IL84-6Bx125-HX-SL		1000	3/8-16	2	1-1/4	3/8
IL84-6Bx150	IL84-6BSx150	1000	3/8-16	2	1-1/2	3/8
IL84-6Bx175-HX-SL		1000	3/8-16	2	1-3/4	3/8
IL84-6Bx175	IL84-6BSx175	1000	3/8-16	2	1-3/4	3/8
IL84-6Bx238	IL84-6BSx238	1000	3/8-16	2	2-3/8	3/8
IL84-6Bx238-SL		1000	3/8-16	2	2-3/8	3/8
IL84-6Bx238-HX-SL		1000	3/8-16	2	2-3/8	3/8
IL84-6Bx275-HX-SL		1000	3/8-16	2	2-3/4	3/8
IL84-6Bx338-HX-SL		1000	3/8-16	2	3-3/8	3/8
IL84-7Bx3/4	IL84-7BSx3/4	1000	1/2-13	2	3/4	3/8
IL84-7Bx1	IL84-7BSx1	1000	1/2-13	2	1	3/8
IL84-7Bx125	IL84-7BSx125	1000	1/2-13	2	1-1/4	3/8
IL84-7Bx150	IL84-7BSx150	1000	1/2-13	2	1-1/2	3/8
IL84-7Bx238		1000	1/2-13	2	2-3/8	3/8
IL86-4Bx1/4	IL86-4BSx1/4	100	1/4-20	2-1/2	1/4	3/8
IL86-4Bx1/2	IL86-4BSx1/2	100	1/4-20	2-1/2	1/2	3/8
IL86-4Bx1/2-HX-SL		100	1/4-20	2-1/2	1/2	3/8
IL86-4Bx3/4	IL86-4BSx3/4	100	1/4-20	2-1/2	3/4	3/8
IL86-4Bx3/4-HX-SL		100	1/4-20	2-1/2	3/4	3/8
IL86-4Bx1	IL86-4BSx1	100	1/4-20	2-1/2	1	3/8
IL86-4Bx1-HX-SL		100	1/4-20	2-1/2	1	3/8
IL86-4Bx125	IL86-4BSx125	100	1/4-20	2-1/2	1-1/4	3/8
IL86-4Bx125-HX-SL		100	1/4-20	2-1/2	1-1/4	3/8
IL86-4Bx150	IL86-4BSx150	100	1/4-20	2-1/2	1-1/2	3/8
IL86-4Bx175	IL86-4BSx175	100	1/4-20	2-1/2	1-3/4	3/8
IL86-4Bx175-HX-SL		100	1/4-20	2-1/2	1-3/4	3/8
IL86-4Bx2	IL86-4BSx2	100	1/4-20	2-1/2	2	3/8
IL86-4Bx275	IL86-4BSx275	100	1/4-20	2-1/2	2-3/4	3/8
IL86-5Bx1/4	IL86-5BSx1/4	500	5/16-18	2-1/2	1/4	3/8
IL86-5Bx1/2	IL86-5BSx1/2	500	5/16-18	2-1/2	1/2	3/8
IL86-5Bx1/2-HX-SL		500	5/16-18	2-1/2	1/2	3/8
IL86-5Bx3/4	IL86-5BSx3/4	500	5/16-18	2-1/2	3/4	3/8
IL86-5Bx3/4-HX-SL		500	5/16-18	2-1/2	3/4	3/8
IL86-5Bx1	IL86-5BSx1	500	5/16-18	2-1/2	1	3/8
IL86-5Bx1-HX-SL		500	5/16-18	2-1/2	1	3/8
IL86-5Bx125-HX-SL		500	5/16-18	2-1/2	1-1/4	3/8
IL86-5Bx125	IL86-5BSx125	500	5/16-18	2-1/2	1-1/4	3/8
IL86-5Bx175	IL86-5BSx175	500	5/16-18	2-1/2	1-3/4	3/8
IL86-5Bx175-HX-SL		500	5/16-18	2-1/2	1-3/4	3/8
IL86-5Bx225-HX-SL		500	5/16-18	2-1/2	2-1/4	3/8
IL86-6Bx1/4	IL86-6BSx1/4	1000	3/8-16	2-1/2	1/4	3/8
IL86-6Bx1/2	IL86-6BSx1/2	1000	3/8-16	2-1/2	1/2	3/8
IL86-6Bx1/2-HX-SL		1000	3/8-16	2-1/2	1/2	3/8
IL86-6Bx3/4-HX-SL		1000	3/8-16	2-1/2	3/4	3/8
IL86-6Bx1	IL86-6BSx1	1000	3/8-16	2-1/2	1	3/8
IL86-6Bx1-HX-SL		1000	3/8-16	2-1/2	1	3/8
IL86-6Bx125	IL86-6BSx125	1000	3/8-16	2-1/2	1-1/4	3/8
IL86-6Bx125-HX-SL		1000	3/8-16	2-1/2	1-1/4	3/8
IL86-6Bx150	IL86-6BSx150	1000	3/8-16	2-1/2	1-1/2	3/8
IL86-6Bx175-HX-SL		1000	3/8-16	2-1/2	1-3/4	3/8
IL86-6Bx175	IL86-6BSx175	1000	3/8-16	2-1/2	1-3/4	3/8
IL86-6Bx238	IL86-6BSx238	1000	3/8-16	2-1/2	2-3/8	3/8
IL86-6Bx238-SL		1000	3/8-16	2-1/2	2-3/8	3/8
IL86-6Bx238-HX-SL		1000	3/8-16	2-1/2	2-3/8	3/8
IL86-6Bx275-HX-SL		1000	3/8-16	2-1/2	2-3/4	3/8
IL86-6Bx338-HX-SL		1000	3/8-16	2-1/2	3-3/8	3/8
IL86-7Bx3/4	IL86-7BSx3/4	1000	1/2-13	2-1/2	3/4	3/8
IL86-7Bx1	IL86-7BSx1	1000	1/2-13	2-1/2	1	3/8
IL86-7Bx125	IL86-7BSx125	1000	1/2-13	2-1/2	1-1/4	3/8
IL86-7Bx150	IL86-7BSx150	1000	1/2-13	2-1/2	1-1/2	3/8
IL86-7Bx238		1000	1/2-13	2-1/2	2-3/8	3/8



**KNOBS**  
**LOW PROFILE KNOBS**

**Low Profile Knobs**

These *Low Profile Shoulderless Knobs* have a black polypropylene base and grip ridges on the outside diameter. The threaded studs are available in zinc-plated steel or stainless steel. Other colors also available: clear, white, brown, blue, red, gray, etc.



Many colors available as custom option.

Steel	SS	Load	Thread	A	B	C
<b>Steel and Stainless Steel Knob Style Glides</b>						
IL88-4Bx1/4	IL88-4BSx1/4	100	1/4-20	3	1/4	3/8
IL88-4Bx1/2	IL88-4BSx1/2	100	1/4-20	3	1/2	3/8
IL88-4Bx1/2-HX-SL		100	1/4-20	3	1/2	3/8
IL88-4Bx3/4	IL88-4BSx3/4	100	1/4-20	3	3/4	3/8
IL88-4Bx3/4-HX-SL		100	1/4-20	3	3/4	3/8
IL88-4Bx1	IL88-4BSx1	100	1/4-20	3	1	3/8
IL88-4Bx1-HX-SL		100	1/4-20	3	1	3/8
IL88-4Bx125	IL88-4BSx125	100	1/4-20	3	1-1/4	3/8
IL88-4Bx125-HX-SL		100	1/4-20	3	1-1/4	3/8
IL88-4Bx150	IL88-4BSx150	100	1/4-20	3	1-1/2	3/8
IL88-4Bx175	IL88-4BSx175	100	1/4-20	3	1-3/4	3/8
IL88-4Bx175-HX-SL		100	1/4-20	3	1-3/4	3/8
IL88-4Bx2	IL88-4BSx2	100	1/4-20	3	2	3/8
IL88-4Bx275	IL88-4BSx275	100	1/4-20	3	2-3/4	3/8
IL88-5Bx1/4	IL88-5BSx1/4	500	5/16-18	3	1/4	3/8
IL88-5Bx1/2	IL88-5BSx1/2	500	5/16-18	3	1/2	3/8
IL88-5Bx1/2-HX-SL		500	5/16-18	3	1/2	3/8
IL88-5Bx3/4	IL88-5BSx3/4	500	5/16-18	3	3/4	3/8
IL88-5Bx3/4-HX-SL		500	5/16-18	3	3/4	3/8
IL88-5Bx1	IL88-5BSx1	500	5/16-18	3	1	3/8
IL88-5Bx1-HX-SL		500	5/16-18	3	1	3/8
IL88-5Bx125	IL88-5BSx125	500	5/16-18	3	1-1/4	3/8
IL88-5Bx125-HX-SL		500	5/16-18	3	1-1/4	3/8
IL88-5Bx175	IL88-5BSx175	500	5/16-18	3	1-3/4	3/8
IL88-5Bx175-HX-SL		500	5/16-18	3	1-3/4	3/8
IL88-5Bx225-HX-SL		500	5/16-18	3	2-1/4	3/8
IL88-6Bx1/4	IL88-6BSx1/4	1000	3/8-16	3	1/4	3/8
IL88-6Bx1/2	IL88-6BSx1/2	1000	3/8-16	3	1/2	3/8
IL88-6Bx1/2-HX-SL		1000	3/8-16	3	1/2	3/8
IL88-6Bx3/4-HX-SL		1000	3/8-16	3	3/4	3/8
IL88-6Bx1	IL88-6BSx1	1000	3/8-16	3	1	3/8
IL88-6Bx1-HX-SL		1000	3/8-16	3	1	3/8
IL88-6Bx125	IL88-6BSx125	1000	3/8-16	3	1-1/4	3/8
IL88-6Bx125-HX-SL		1000	3/8-16	3	1-1/4	3/8
IL88-6Bx150	IL88-6BSx150	1000	3/8-16	3	1-1/2	3/8
IL88-6Bx175-HX-SL		1000	3/8-16	3	1-3/4	3/8
IL88-6Bx175	IL88-6BSx175	1000	3/8-16	3	1-3/4	3/8
IL88-6Bx238	IL88-6BSx238	1000	3/8-16	3	2-3/8	3/8
IL88-6Bx238-SL		1000	3/8-16	3	2-3/8	3/8
IL88-6Bx275-HX-SL		1000	3/8-16	3	2-3/8	3/8
IL88-6Bx338-HX-SL		1000	3/8-16	3	3-3/8	3/8
IL88-7Bx3/4	IL88-7BSx3/4	1000	1/2-13	3	3/4	3/8
IL88-7Bx1	IL88-7BSx1	1000	1/2-13	3	1	3/8
IL88-7Bx125	IL88-7BSx125	1000	1/2-13	3	1-1/4	3/8
IL88-7Bx150	IL88-7BSx150	1000	1/2-13	3	1-1/2	3/8
IL88-7Bx238		1000	1/2-13	3	2-3/8	3/8

**Low Profile Socket Type Knobs**

These *low-profile polypropylene knobs* are designed for use with socket head allen bolts or threaded rod of various lengths. They are available with three different female thread types: brass insert (-BI), steel hex nut (-HN), or threads molded directly into the polypropylene (-MT). The height of all base sizes is 3/8" thick. The PVC base is a flexible, non-skid and non-marring, rubber-like material.



PN (brass)	PN (hex nut)	PN(molded)	Thread	Base Dia.	Load (lbs.)
IL83-4B-BI	IL83-4B-HN	IL83-4B-MT	1/4-20	1-1/2	100
IL83-5B-BI	IL83-5B-HN	IL83-5B-MT	5/16-18	1-1/2	250
IL83-6B-BI	IL83-6B-HN	IL83-6B-MT	3/8-16	1-1/2	250
IL85-4B-BI	IL85-4B-HN	IL85-4B-MT	1/4-20	2	100
IL85-5B-BI	IL85-5B-HN	IL85-5B-MT	5/16-18	2	250
IL85-6B-BI	IL85-6B-HN	IL85-6B-MT	3/8-16	2	250
IL87-4B-BI	IL87-4B-HN	IL87-4B-MT	1/4-20	2-1/2	100
IL87-5B-BI	IL87-5B-HN	IL87-5B-MT	5/16-18	2-1/2	250
IL87-6B-BI	IL87-6B-HN	IL87-6B-MT	3/8-16	2-1/2	250
IL89-4B-BI	IL89-4B-HN	IL89-4B-MT	1/4-20	3	100
IL89-5B-BI	IL89-5B-HN	IL89-5B-MT	5/16-18	3	250
IL89-6B-BI	IL89-6B-HN	IL89-6B-MT	3/8-16	3	250
<hr/>					
PN (PVC)	Thread	Base Dia.	Load (lbs.)		
IL83-4B-HN-PVC	1/4-20	1-1/2	75		
IL83-5B-HN-PVC	5/16-18	1-1/2	75		
IL83-6B-HN-PVC	3/8-16	1-1/2	75		



**INTERNATIONAL EQUIPMENT COMPONENTS, INC.**

Phone: **562.597.4533** eMail: **sales@iec-corp.com**

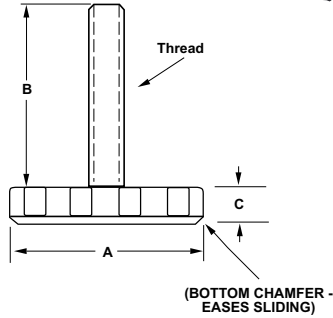
Web: **www.levelingmounts.com & www.iec-corp.com**

**KNOBS**

**LOW PROFILE KNOBS**

**Low Profile Knobs**

These *Low Profile Shoulderless Knobs* have a black polypropylene base and grip ridges on the outside diameter. The threaded studs are available in zinc-plated steel or stainless steel. Other colors also available: clear, white, brown, blue, red, gray, etc.



Top Hex (-HX) and Slot (-SL)



Many colors available as custom option.

Steel	SS	Load	Thread	A	B	C
<b>METRIC - Steel and Stainless Steel Knob Style Glides</b>						
IL82-M6Bx6	IL82-M6BSx6	100	M6	38	6	10
IL82-M6Bx12	IL82-M6BSx12	100	M6	38	12	10
IL82-M6Bx25	IL82-M6BSx25	100	M6	38	25	10
IL82-M8Bx6	IL82-M8BSx6	500	M8	38	6	10
IL82-M8Bx12	IL82-M8BSx12	500	M8	38	12	10
IL82-M8Bx25	IL82-M8BSx25	500	M8	38	25	10
IL82-M8Bx45	IL82-M8BSx45	500	M8	38	45	10
IL82-M10Bx15	IL82-M10BSx15	1000	M10	38	15	10
IL82-M10Bx20	IL82-M10BSx20	1000	M10	38	20	10
IL82-M10Bx25	IL82-M10BSx25	1000	M10	38	25	10
IL82-M10Bx40	IL82-M10BSx40	1000	M10	38	40	10
IL84-M6Bx6	IL84-M6BSx6	100	M6	51	6	10
IL84-M6Bx12	IL84-M6BSx12	100	M6	51	12	10
IL84-M6Bx25	IL84-M6BSx25	100	M6	51	25	10
IL84-M8Bx6	IL84-M8BSx6	500	M8	51	6	10
IL84-M8Bx12	IL84-M8BSx12	500	M8	51	12	10
IL84-M8Bx25	IL84-M8BSx25	500	M8	51	25	10
IL84-M8Bx45	IL84-M8BSx45	500	M8	51	45	10
IL84-M10Bx15	IL84-M10BSx15	1000	M10	51	15	10
IL84-M10Bx20	IL84-M10BSx20	1000	M10	51	20	10
IL84-M10Bx25	IL84-M10BSx25	1000	M10	51	25	10
IL84-M10Bx40	IL84-M10BSx40	1000	M10	51	40	10
IL86-M6Bx6	IL86-M6BSx6	100	M6	64	6	10
IL86-M6Bx12	IL86-M6BSx12	100	M6	64	12	10
IL86-M6Bx25	IL86-M6BSx25	100	M6	64	25	10
IL86-M8Bx6	IL86-M8BSx6	500	M8	64	6	10
IL86-M8Bx12	IL86-M8BSx12	500	M8	64	12	10
IL86-M8Bx25	IL86-M8BSx25	500	M8	64	25	10
IL86-M8Bx45	IL86-M8BSx45	500	M8	64	45	10
IL86-M10Bx15	IL86-M10BSx15	1000	M10	64	15	10
IL86-M10Bx20	IL86-M10BSx20	1000	M10	64	20	10
IL86-M10Bx25	IL86-M10BSx25	1000	M10	64	25	10
IL86-M10Bx40	IL86-M10BSx40	1000	M10	64	40	10
IL88-M6Bx6	IL88-M6BSx6	100	M6	76	6	10
IL88-M6Bx12	IL88-M6BSx12	100	M6	76	12	10
IL88-M6Bx25	IL88-M6BSx25	100	M6	76	25	10
IL88-M8Bx6	IL88-M8BSx6	500	M8	76	6	10
IL88-M8Bx12	IL88-M8BSx12	500	M8	76	12	10
IL88-M8Bx25	IL88-M8BSx25	500	M8	76	25	10
IL88-M8Bx45	IL88-M8BSx45	500	M8	76	45	10
IL88-M10Bx15	IL88-M10BSx15	1000	M10	76	15	10
IL88-M10Bx20	IL88-M10BSx20	1000	M10	76	20	10
IL88-M10Bx25	IL88-M10BSx25	1000	M10	76	25	10
IL88-M10Bx40	IL88-M10BSx40	1000	M10	76	40	10

**36A - Metric Knob Style (PVC Base)** The 1-1/2" and 2" diameter base is available in a flexible, non-skid, non-marring black PVC, rubber-like material.

Steel	SS	Load	Thread	A	B	C
<b>36A - METRIC - Steel and Stainless Steel Knob Style Glides (PVC base)</b>						
IL82-M6Bx6-PVC	IL82-M6BSx6-PVC	100	M6	38	6	10
IL82-M6Bx12-PVC	IL82-M6BSx12-PVC	100	M6	38	12	10
IL82-M6Bx25-PVC	IL82-M6BSx25-PVC	100	M6	38	25	10
IL82-M8Bx6-PVC	IL82-M8BSx6-PVC	100	M8	38	6	10
IL82-M8Bx12-PVC	IL82-M8BSx12-PVC	100	M8	38	12	10
IL82-M8Bx25-PVC	IL82-M8BSx25-PVC	100	M8	38	25	10
IL82-M8Bx45-PVC	IL82-M8BSx45-PVC	100	M8	38	45	10
IL82-M10Bx15-PVC	IL82-M10BSx15-PVC	100	M10	38	15	10
IL82-M10Bx20-PVC	IL82-M10BSx20-PVC	100	M10	38	20	10
IL82-M10Bx25-PVC	IL82-M10BSx25-PVC	100	M10	38	25	10
IL82-M10Bx40-PVC	IL82-M10BSx40-PVC	100	M10	38	40	10
IL84-M6Bx6-PVC	IL84-M6BSx6-PVC	100	M6	51	6	10
IL84-M6Bx12-PVC	IL84-M6BSx12-PVC	100	M6	51	12	10
IL84-M6Bx25-PVC	IL84-M6BSx25-PVC	100	M6	51	25	10
IL84-M8Bx6-PVC	IL84-M8BSx6-PVC	100	M8	51	6	10
IL84-M8Bx12-PVC	IL84-M8BSx12-PVC	100	M8	51	12	10
IL84-M8Bx25-PVC	IL84-M8BSx25-PVC	100	M8	51	25	10
IL84-M8Bx45-PVC	IL84-M8BSx45-PVC	100	M8	51	45	10
IL84-M10Bx15-PVC	IL84-M10BSx15-PVC	100	M10	51	15	10
IL84-M10Bx20-PVC	IL84-M10BSx20-PVC	100	M10	51	20	10
IL84-M10Bx25-PVC	IL84-M10BSx25-PVC	100	M10	51	25	10
IL84-M10Bx40-PVC	IL84-M10BSx40-PVC	100	M10	51	40	10



**Your Contact Information**

NAME:	TITLE:
<input type="text"/>	<input type="text"/>
COMPANY:	E-MAIL:
<input type="text"/>	<input type="text"/>
STREET ADDRESS OR POB:	CITY:
<input type="text"/>	<input type="text"/>
STATE:	ZIP CODE:
<input type="text"/>	<input type="text"/>
PHONE:	FAX:
<input type="text"/>	<input type="text"/>

**Standard Product Request**

ITEM #	IEC PART NUMBER	DESCRIPTION	QUANTITY
1	<input type="text"/>	<input type="text"/>	<input type="text"/>

*Comments/Special Instructions:*

ITEM #	IEC PART NUMBER	DESCRIPTION	QUANTITY
2	<input type="text"/>	<input type="text"/>	<input type="text"/>

*Comments/Special Instructions:*

ITEM #	IEC PART NUMBER	DESCRIPTION	QUANTITY
3	<input type="text"/>	<input type="text"/>	<input type="text"/>

*Comments/Special Instructions:*

PLEASE FAX THIS FORM TO: **562-498-2275**



**INTERNATIONAL EQUIPMENT COMPONENTS, INC.**

**Phone: 562.597.4533 eMail: [sales@iec-corp.com](mailto:sales@iec-corp.com)**

**Web: [www.levelingmounts.com](http://www.levelingmounts.com) & [www.iec-corp.com](http://www.iec-corp.com)**

## **Warranty & Disclaimer**

IEC warrants each product against defects in workmanship and material for 90 days from the date of delivery to the user. The warranty is limited to the repair or replacement of any part(s) which are found by IEC to be defective and does not apply to ordinary wear tear, abuse, misapplications and altered products.

All data, dimensions and tables have been thoroughly checked but we can not assume liability for any possible errors or omissions. If you find an error, please notify us so we can correct it for future editions. We reserve the right to change designs and/or specifications without notice. In the event of a change, every attempt will be made to notify the current users.

**IEC** INTERNATIONAL EQUIPMENT COMPONENTS, INC.  
www.levelingmounts.com & www.iec-corp.com

**HEAVY-DUTY LEVELERS**

ANY THREAD ... ANY LENGTH ... ANY BASE

**LEVEL  
ALIGN  
STABILIZE  
PROTECT**

Ph. 562.597.4533

**IEC** INTERNATIONAL EQUIPMENT COMPONENTS, INC.  
www.levelingmounts.com & www.iec-corp.com

**MEDIUM-DUTY LEVELERS**

ANY THREAD ... ANY LENGTH ... ANY BASE

**LEVEL  
ALIGN  
STABILIZE  
PROTECT**

Ph. 562.597.4533

**IEC** INTERNATIONAL EQUIPMENT COMPONENTS, INC.  
www.levelingmounts.com & www.iec-corp.com

**LIGHT-DUTY LEVELERS**

ANY THREAD ... ANY LENGTH ... ANY BASE

**LEVEL  
ALIGN  
STABILIZE  
PROTECT**

Ph. 562.597.4533

**IEC** INTERNATIONAL EQUIPMENT COMPONENTS, INC.  
www.levelingmounts.com & www.iec-corp.com

**METRIC LEVELERS**

ANY THREAD ... ANY LENGTH ... ANY BASE

**LEVEL  
ALIGN  
STABILIZE  
PROTECT**

Ph. 562.597.4533

**INTERNATIONAL  
EQUIPMENT COMPONENTS, INC.**

2201 E. Willow Street, D-104,

Signal Hill, CA 90755

Email: sales@iec-corp.com

Phone: 1-562-597-4533

Fax: 1-562-498-2275

Web: www.iec-corp.com

**IEC** INTERNATIONAL EQUIPMENT COMPONENTS, INC.  
www.levelingmounts.com & www.iec-corp.com

**KNOB & HANDLE**

**CLAMP  
ADJUST  
STABILIZE  
FASTEN**

Ph. 562.597.4533

**IEC** INTERNATIONAL EQUIPMENT COMPONENTS, INC.  
www.levelingmounts.com & www.iec-corp.com

**CAP & PLUG PRODUCTS**

**FEET  
SLIDE  
PROTECT  
FINISH**

Ph. 562.597.4533

**IEC** INTERNATIONAL EQUIPMENT COMPONENTS, INC.  
www.levelingmounts.com & www.iec-corp.com

**SURFACE PROTECTION**  
SLIDERS, GRIPPERS & FELT

**CUSHION  
QUIET  
SLIDE  
PROTECT**

Ph. 562.597.4533

**IEC** INTERNATIONAL EQUIPMENT COMPONENTS, INC.  
www.levelingmounts.com & www.iec-corp.com

**LEG & CASTER PRODUCTS**

**LEVEL  
EXTEND  
SUPPORT  
ROLL**

Ph. 562.597.4533